

PIXMA iP6000D

PIXUS iP6100D

PARTS CATALOG

REVISION 0

9315A001AA	iP6000D / 120V(US)
9315A002AA	iP6000D / 120V(CA)
9315A003AA	iP6000D / 120V(LAM-LVT)
9315A004AA	iP6000D / 220V-240V(LAM-HVT)
9315A005AA	iP6000D / 220V-240V(EUR)
9315A008AA	iP6000D / 220V-240V(ASA HVT)
9315A009AA	iP6000D / 220V-240V(AU)
9315A010AA	iP6000D / 220V-240V(KR)
9315A011AA	iP6000D / 220V-240V(GB)
9315A012AA	iP6100D / 100V(JP)
9315A013AA	iP6000D / 120V(TW)
9315A014AA	iP6000D / 220V-240V(HK)
9315A015AA	iP6000D / 220V-240V(CN)
9315A017AA	iP6000D / 220V-240V(EUM)



AUG. 2004

QY8-31C7-000

COPYRIGHT © 2004 CANON INC. CANON PIXMA iP6000D / PIXUS iP6100D 0804 N 0.00-0

Application

This manual has been issued by Canon Inc. for qualified person to learn technical theory, installation, maintenance, and repair of products. This manual covers all localities where the products are sold. For this reason, there may be information in this manual that does not apply to your locality.

Corrections

This manual could include technical inaccuracies or typographical errors due to improvements or changes in the products. When changes occur in applicable products or in the content of this manual, Canon will release technical information as the need arises. In the event of major changes in the contents of this manual over a long or short period. Canon will issue a new editions of this manual. The following paragraph does not apply to any countries where such provisions are inconsistent with local law.

Trademarks

The product names and company names described in this manual are the registered trademarks of the individual companies.

Copyright

This manual is copyrighted with all rights reserved. Under the copyright laws, this manual may not be copied, reproduced or translated into another language, in whole or in part, without the written consent of Canon Inc.

Copyright © 2004 by Canon Inc.

CANON INC.

Inkjet SFP Quality Assurance Div.

16-1, Shimonoge 3-chome, Takatsu-ku, Kawasaki-shi, Kanagawa 213-8512, Japan

This manual was created under Microsoft® Windows® 2000.

Parts layout pictures were edited using Adobe® Photoshop® 7.0. KEY No. were created using Adobe® Illustrator® 10.

HTML files were created using Microsoft® FrontPage® 2000.

ABOUT THIS MANUAL

A. ILLUSTRATION INDEX

For illustration index, the parts layout illustrations in this parts catalog are listed in abbreviated form in order of illustration number to identify the pages they appear on. To find an illustration of a part, see the ILLUSTRATION INDEX.

B. PARTS LAYOUT & PARTS LIST

Parts layout illustration

a) Parts search

Find a part from the parts layout illustration and find its key number from the parts list to identify the part number and name. For screws, nuts, washers, lock washers, pins, spacers, see SCREWS & WASHERS LIST.

Note: If parts have the same or similar shape but different specifications, their key number is assigned to several part numbers and names in the parts list.

b) Parts replacement procedure

To replace parts, the parts layout illustrations have figure numbers according to the disassembly procedure of the product. The parts that require careful work are shown the illustration.

Parts list

a) FIGURE & KEY No.

The FIGURE & KEY No. column corresponds to the key numbers assigned to the parts in the parts layout illustration.

b) PART NUMBER

The PART NUMBER column gives the part numbers corresponding to the key numbers. To order a part, indicate the part number clearly.

Note: Parts marked NPN are not service parts.

c) RANK

The service parts with N in the RANK column are order parts.

d) QTY

The QTY column gives the number of parts in the corresponding components layout illustration.

e) DESCRIPTION

The DESCRIPTION column gives the part names in English.

To order a part, indicate the part name, too.

C. OPTIONS & CONSUMABLES

These are illustrations and a list of units that can be used as optional consumable equipments.

D. SCREWS & WASHERS LIST

This is a list of screws, nuts, washers, lock washers, pins, and spacers.

The QTY column does not give the number of parts used.

E. TOOL LIST

This is a list of tools used for servicing products.

F. NUMERICAL INDEX

All the parts listed in this parts catalog are arranged in order of part number. You can identify part locations and names from the NUMERICAL INDEX.

Contents

A. ILLUSTRATION INDEX ▶

B. PARTS LAYOUT & PARTS LIST

[FIGURE 1 PRINTER & CASSETTE & PRINT HEAD](#)

[FIGURE 2 AC ADAPTER](#)

[FIGURE 3 MAIN CASE UNIT](#)

[FIGURE 4 OPERATION PANEL UNIT](#)

[FIGURE 5 BOTTOM CASE UNIT](#)

[FIGURE 6 LOGIC BOARD](#)

[FIGURE 7 SHEET FEED UNIT](#)

[FIGURE 8 INK ABSORBER](#)

[FIGURE 9 CARRIAGE UNIT](#)

[FIGURE 10 PURGE UNIT](#)

[FIGURE 11 PLATEN UNIT](#)

[FIGURE 12 PAPER FEED & CARRIAGE LIFT PART](#)

C. OPTION & CONSUMABLES ▶

D. SCREW & WASHER LIST ▶

E. TOOL ▶

F. NUMERICAL INDEX ▶

A. ILLUSTRATION INDEX

FIGURE 1 PRINTER & CASSETTE & PRINT HEAD



FIGURE 2 AC ADAPTER

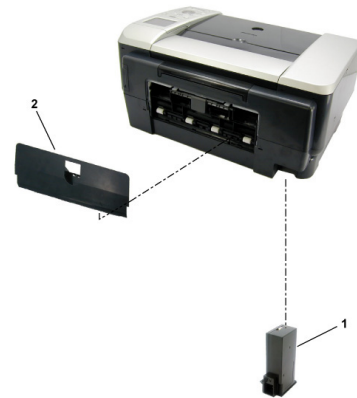


FIGURE 3 MAIN CASE UNIT

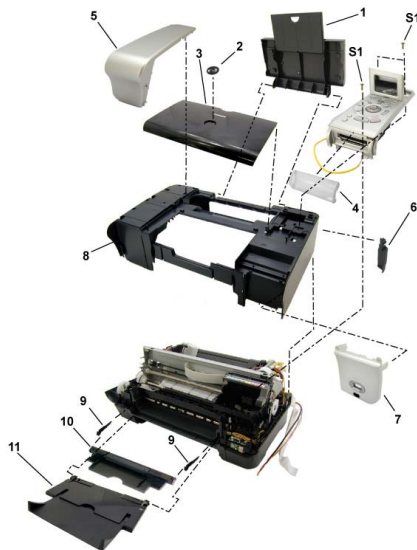


FIGURE 4 OPERATION PANEL UNIT

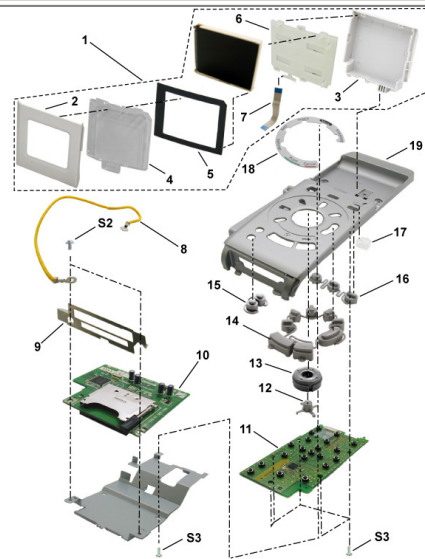


FIGURE 5 BOTTOM CASE UNIT

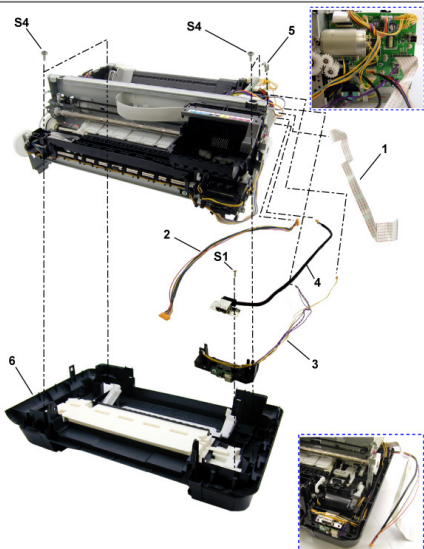


FIGURE 6 LOGIC BOARD

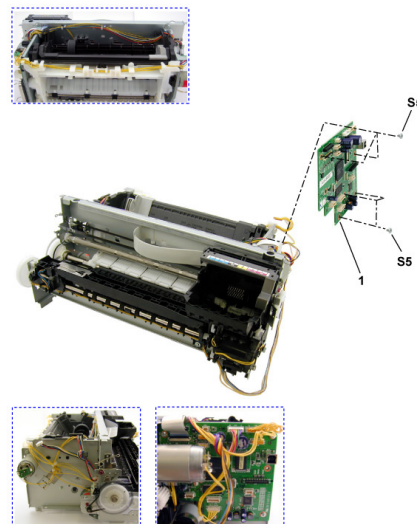


FIGURE 7 SHEET FEED UNIT

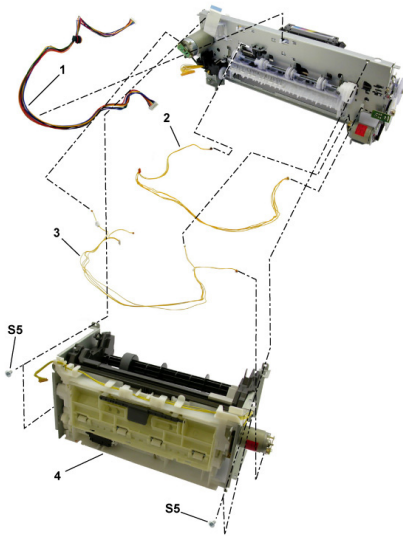


FIGURE 8 NK ABSORBER

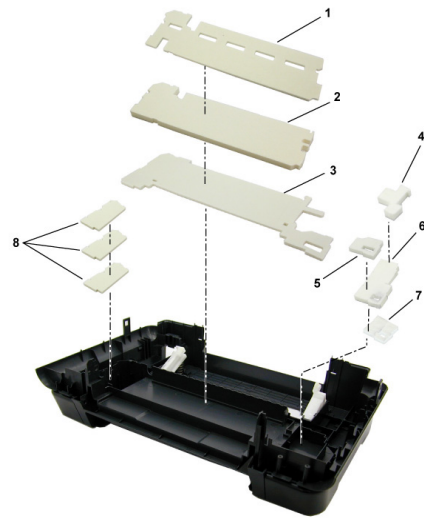


FIGURE 9 CARRIAGE UNIT

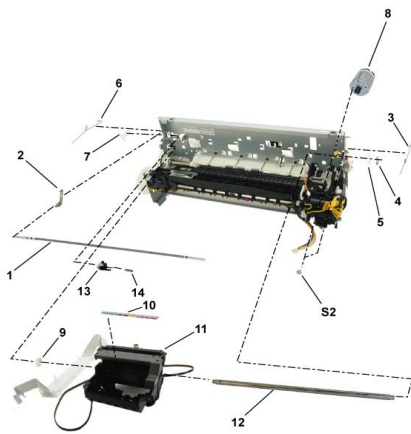


FIGURE 10 PURGE UNIT

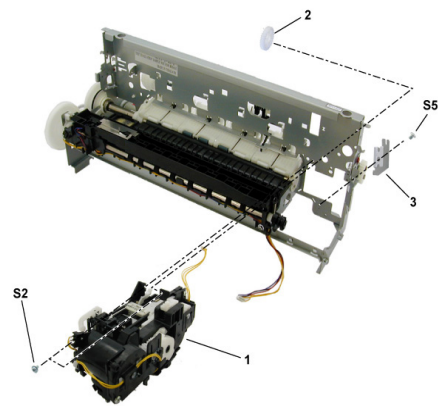


FIGURE 11 PLATEN UNIT

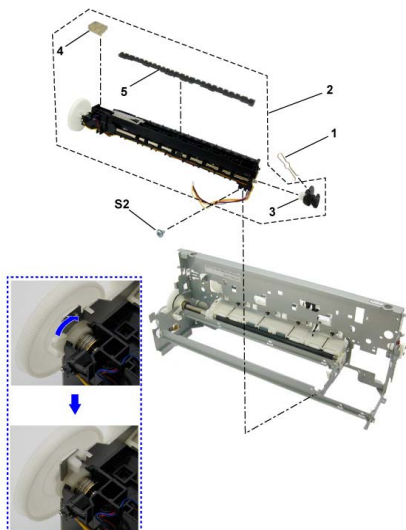


FIGURE 12 PAPER FEED & CARRIAGE LIFT PART

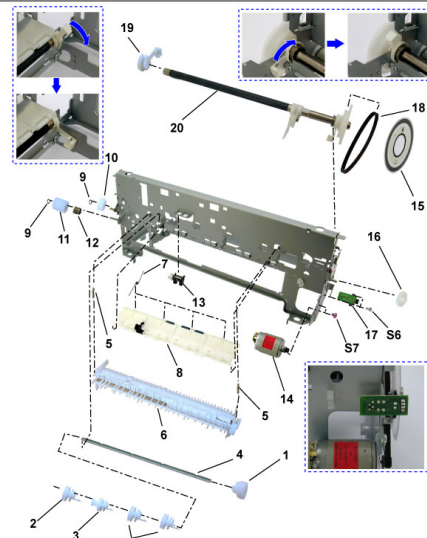


FIGURE 13 OPTION & CONSUMABLES



FIGURE 14 TOOL

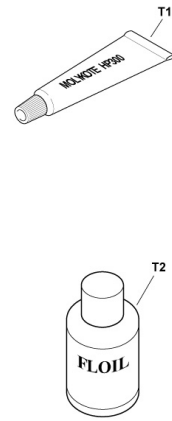


FIGURE 1 PRINTER & CASSETTE & PRINT HEAD



FIGURE & KEY No.		PART NUMBER	RANK	QTY	DESCRIPTION	REMARKS
1 -	1	QM2-1225-000		1	CASSETTE UNIT	
	2	QC1-4286-000		1	COVER, CASSETTE	
	3	QL2-0605-000		1	CDR TRAY ASS'Y	W/ CDR PRINTING
	4	QA4-1117-000		1	TRAY, CD SUB	W/ CDR PRINTING
	5	QH2-2720-000		1	CORD, POWER	120V(LAM-LV)
		QH2-2724-000		1	CORD, POWER	100V-120V(JP)
		QH2-2725-000		1	CORD, POWER	100V-120V
		QH2-2726-000		1	CORD, POWER	220V-240V
		QH2-2727-000		1	CORD, POWER	220V-240V(AU)
		WT3-5156-000		1	CORD, POWER	220V-240V(GB, HK)
		WT3-5160-000		1	CORD, POWER	220V-240V(KR)
		WT3-5182-000		1	CORD, POWER	220V-240V(CHN)
	6	QY6-0050-000		1	PRINT HEAD	

FIGURE 2 AC ADAPTER

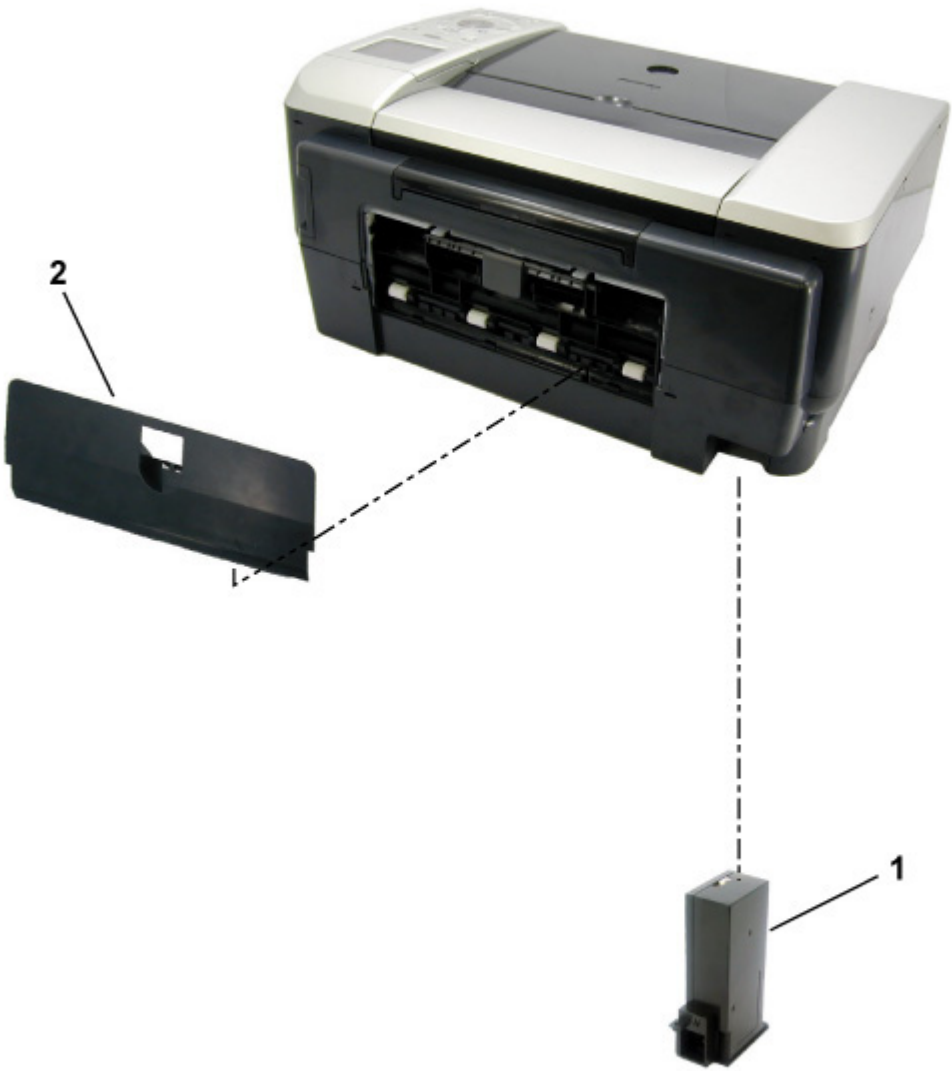


FIGURE & KEY No.		PART NUMBER	RANK	QTY	DESCRIPTION	REMARKS
2 -	1	QK1-0876-000		1	AC ADAPTER: 100V-120V 50/60HZ	
		QK1-0878-000		1	AC ADAPTER: 220V-240V 50/60HZ	
	2	QC1-4456-000		1	COVER, PAPER FEED GUIDE	

FIGURE 3 MAIN CASE UNIT

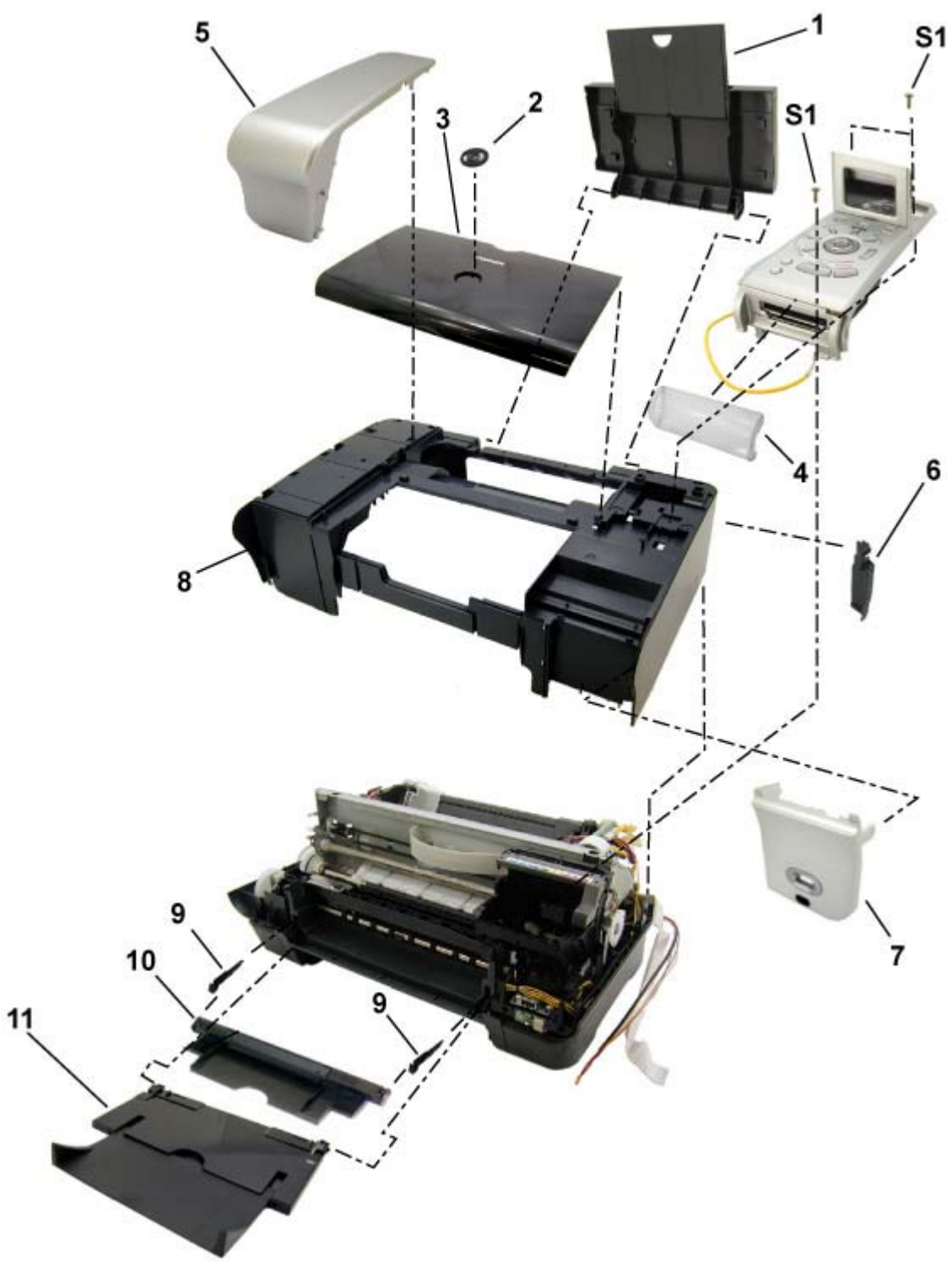


FIGURE & KEY No.		PART NUMBER	RANK	QTY	DESCRIPTION	REMARKS
3 -	1	QM2-1495-000		1	PAPER SUPPORT UNIT	
	2	QC1-4261-000		1	EMBLEM, PIXMA	
		QC1-5343-000		1	EMBLEM, PIXUS	
	3	QM2-1494-000		1	ACCESS COVER UNIT	FOR iP6000D
		QM2-1508-000		1	ACCESS COVER UNIT	FOR iP6100D
	4	QC1-5319-000		1	COVER, CARD SLOT	
	5	QC1-5330-000		1	COVER, TOP L	
	6	QC1-5334-000		1	COVER, I/F	
	7	QM2-1491-000		1	FRONT COVER R UNIT	
	8	QC1-5329-000		1	CASE, MAIN	
	9	QC1-4252-000		2	ARM, RELEASE	
	10	QM2-1490-000		1	CDR TRAY BASE UNIT	W/ CDR PRINTING
		QM2-1511-000		1	INNER COVER UNIT	W/O CDR PRINTING
	11	QM2-1497-000		1	FRONT DOOR UNIT	

FIGURE 4 OPERATION PANEL UNIT

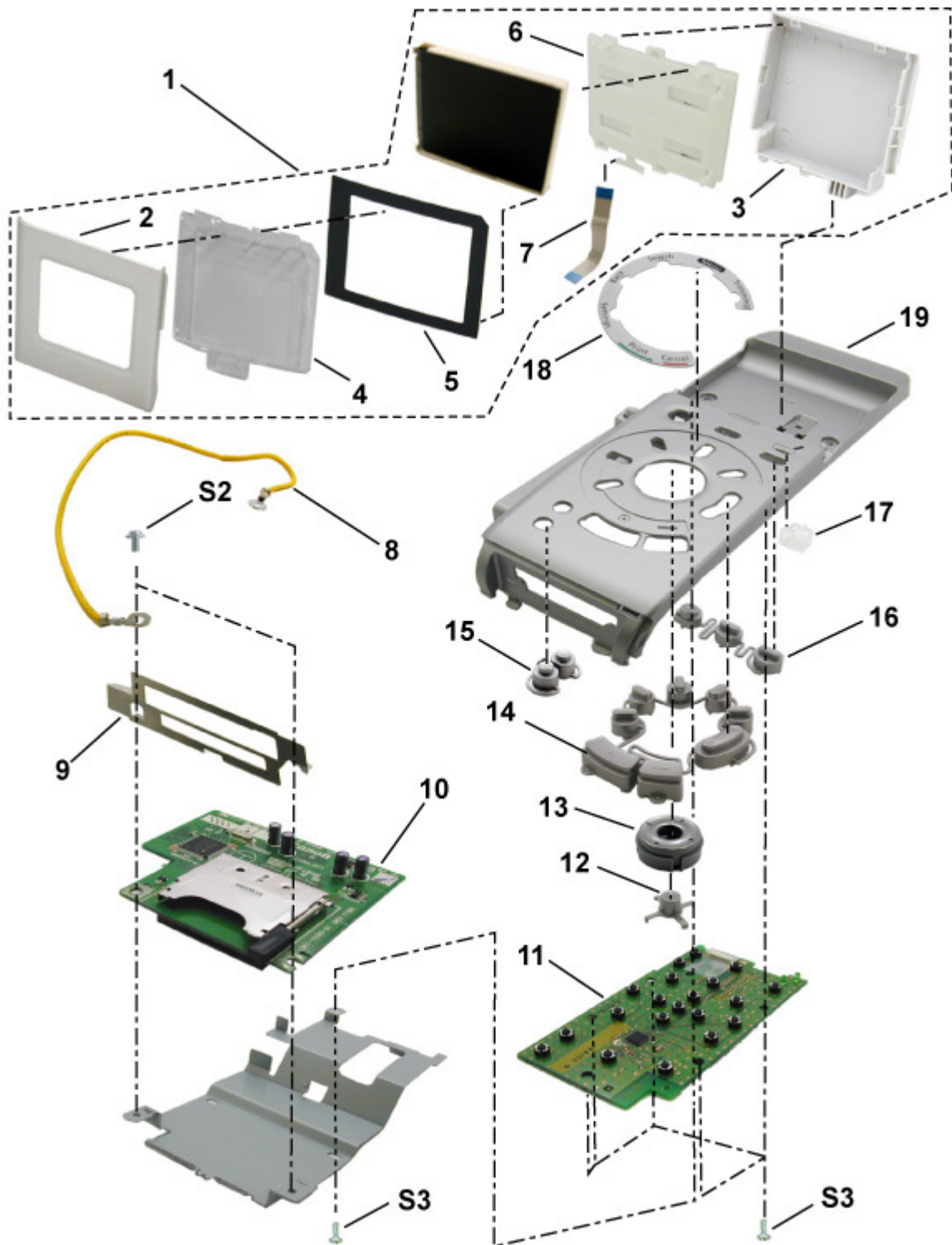


FIGURE & KEY No.		PART NUMBER	RANK	QTY	DESCRIPTION	REMARKS
4 -	1	QM2-1493-000		1	LCD VIEWER UNIT	
	2	QC1-5317-000		1	COVER, LCD UPPER	
	3	QC1-5318-000		1	COVER, LCD LOWER	
	4	QC1-5339-000		1	WINDOW, LCD	
	5	QC1-5341-000		1	PLATE, LCD FACE	
	6	QC1-5340-000		1	PLATE, LCD SET	
	7	QK1-0256-000		1	CABLE, LCD	
	8	QM2-1783-000		1	GROUNDING HARNESS ASS'Y	
	9	QC1-5313-000		1	PLATE, CARD SLOT	
	10	QM2-1788-000		1	CARD BOARD ASS'Y	
	11	QM2-1513-000		1	PANEL BOARD ASS'Y	
	12	QC1-5311-000		1	KEY, OK	
	13	QC1-5307-000		1	KEY, SELECT	
	14	QC1-5305-000		1	KEY, PRINT	
	15	QC1-5306-000		1	KEY, SAVE	
	16	QC1-5304-000		1	KEY, POWER	
	17	QC1-5309-000		1	GUIDE, LED	
	18	QC1-5310-000		1	LABEL, KEY	iP6100D
		QC1-5337-000		1	LABEL, KEY	iP6000D
		QC1-5355-000		1	LABEL, KEY, GER	EUM
		QC1-5356-000		1	LABEL, KEY, FR	CA, EUM
		QC1-5357-000		1	LABEL, KEY, IT	EUM
		QC1-5358-000		1	LABEL, KEY, CN	CN
		QC1-5359-000		1	LABEL, KEY, KR	KR
		QC1-5360-000		1	LABEL, KEY, TW/HK	TW, HK
		QC1-5361-000		1	LABEL, KEY, LAM	LAM LVT, LAM HVT
	19	QM2-1512-000		1	OPERATION COVER UNIT	

FIGURE 5 BOTTOM CASE UNIT

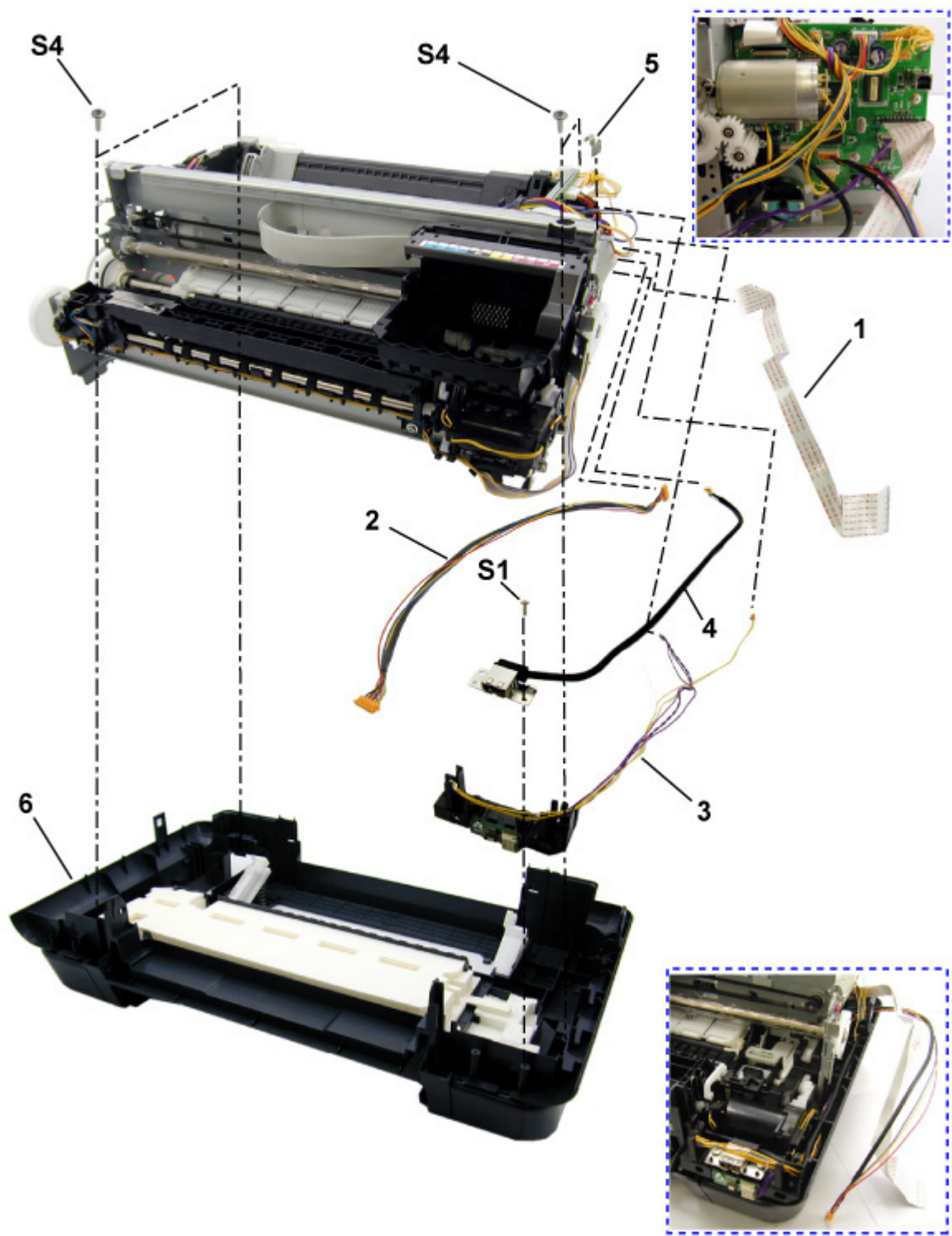


FIGURE & KEY No.		PART NUMBER	RANK	QTY	DESCRIPTION	REMARKS
5 -	1	QK1-1002-000		1	CABLE, PANEL	
	2	QM2-1781-000		1	CARD-USB HARNESS ASS'Y	
	3	QM2-1503-000		1	DCC HOLDER UNIT	
	4	QK1-1133-000		1	USB HARNESS ASS'Y	
	5	QC1-5314-000		1	SPRING, OPERATION PANEL GND	
	6	QM2-1496-000		1	BOTTOM CASE UNIT	

FIGURE 6 LOGIC BOARD

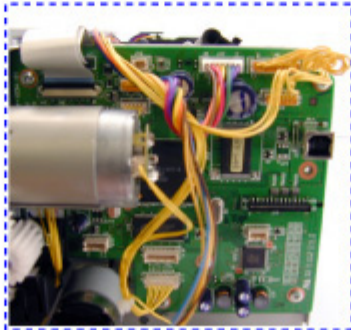
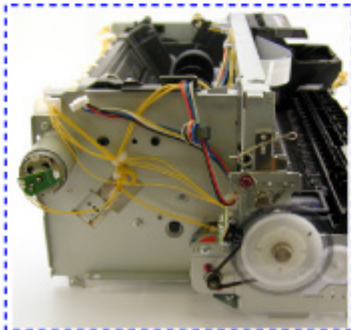
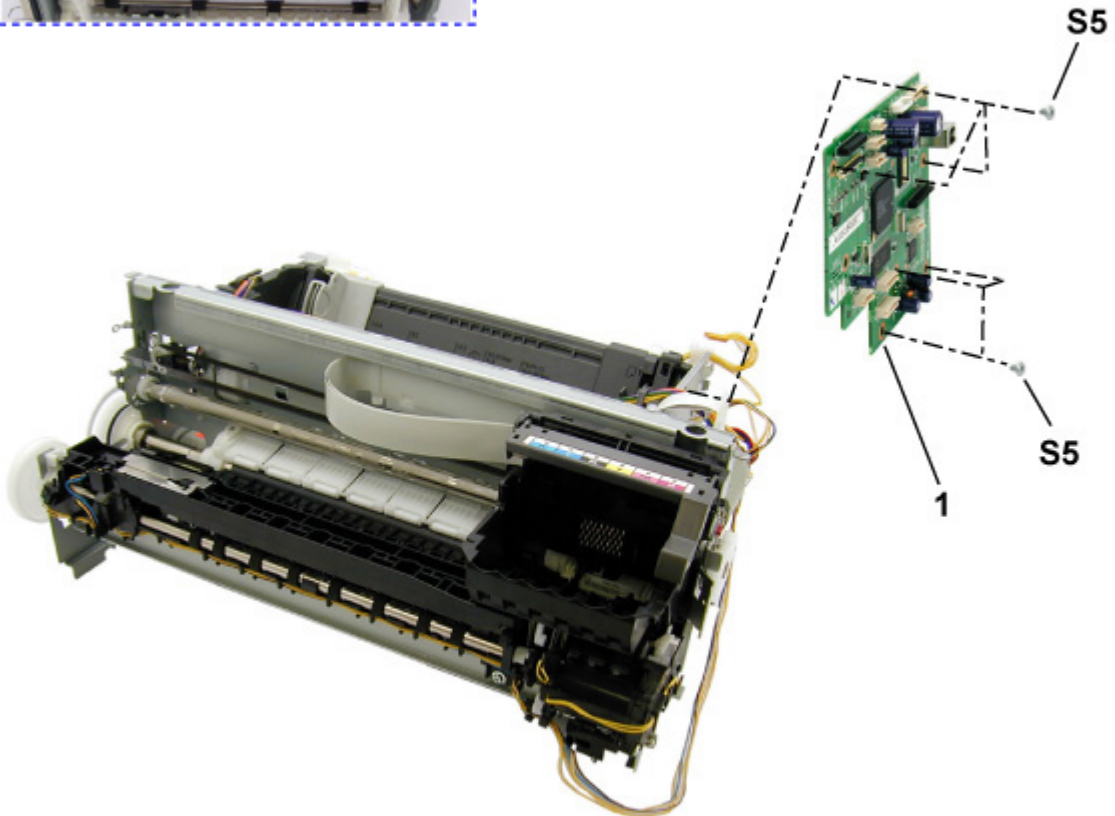


FIGURE & KEY No.		PART NUMBER	RANK	QTY	DESCRIPTION	REMARKS
6 -	1	QM2-1786-000		1	LOGIC BOARD ASS'Y	

FIGURE 7 SHEET FEED UNIT

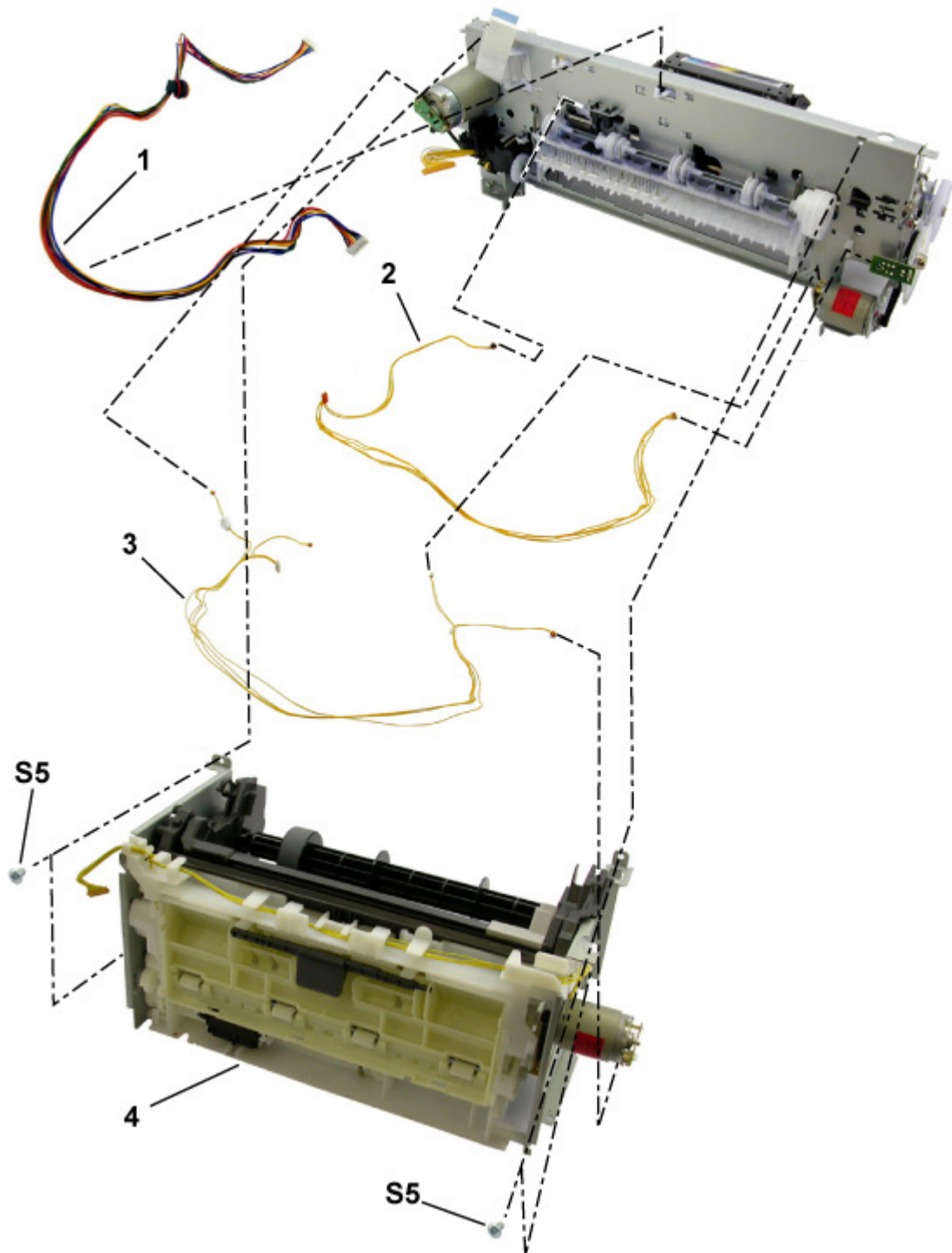


FIGURE & KEY No.		PART NUMBER	RANK	QTY	DESCRIPTION	REMARKS
7 -	1	QM2-1779-000		1	DC CONNECTOR ASS'Y	
	2	QM2-1557-000		1	SENSOR MULTI HARNESS ASS'Y	
	3	QM2-1554-000		1	MOTOR MULTI HARNESS ASS'Y	
	4	QM2-1220-000		1	SHEET FEED UNIT	

FIGURE 8 INK ABSORBER

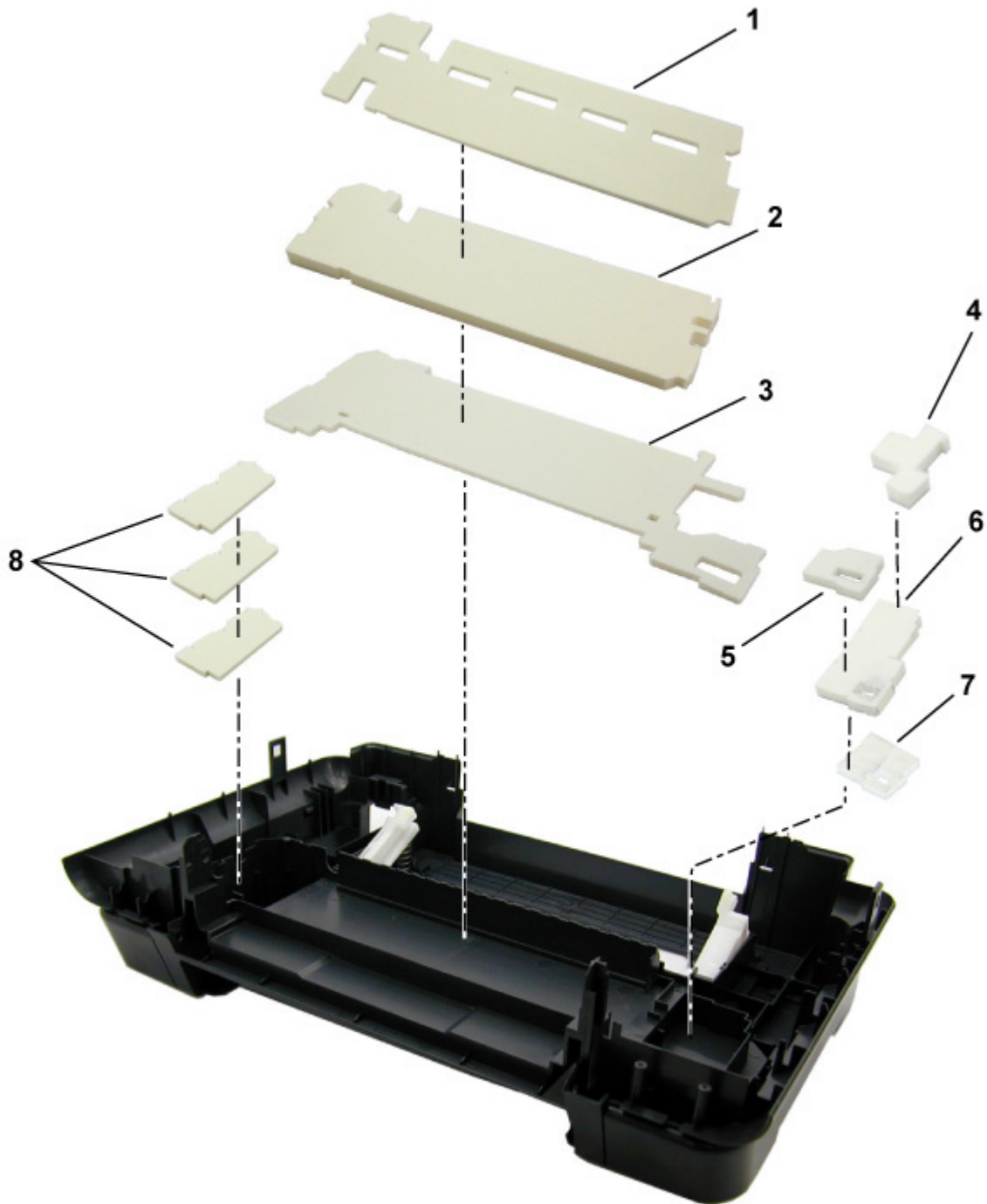


FIGURE & KEY No.		PART NUMBER	RANK	QTY	DESCRIPTION	REMARKS
8 -	1	QC1-4221-000		1	ABSORBER, INK	
	2	QC1-4864-000		1	ABSORBER, INK	
	3	QC1-4222-000		1	ABSORBER, INK	
	4	QC1-4263-000		1	ABSORBER, INK	
	5	QC1-4223-000		1	ABSORBER, INK	
	6	QC1-4224-000		1	ABSORBER, INK	
	7	QC1-4264-000		1	ABSORBER, INK	
	8	QC1-4257-000		3	ABSORBER, INK	

FIGURE 9 CARRIAGE UNIT

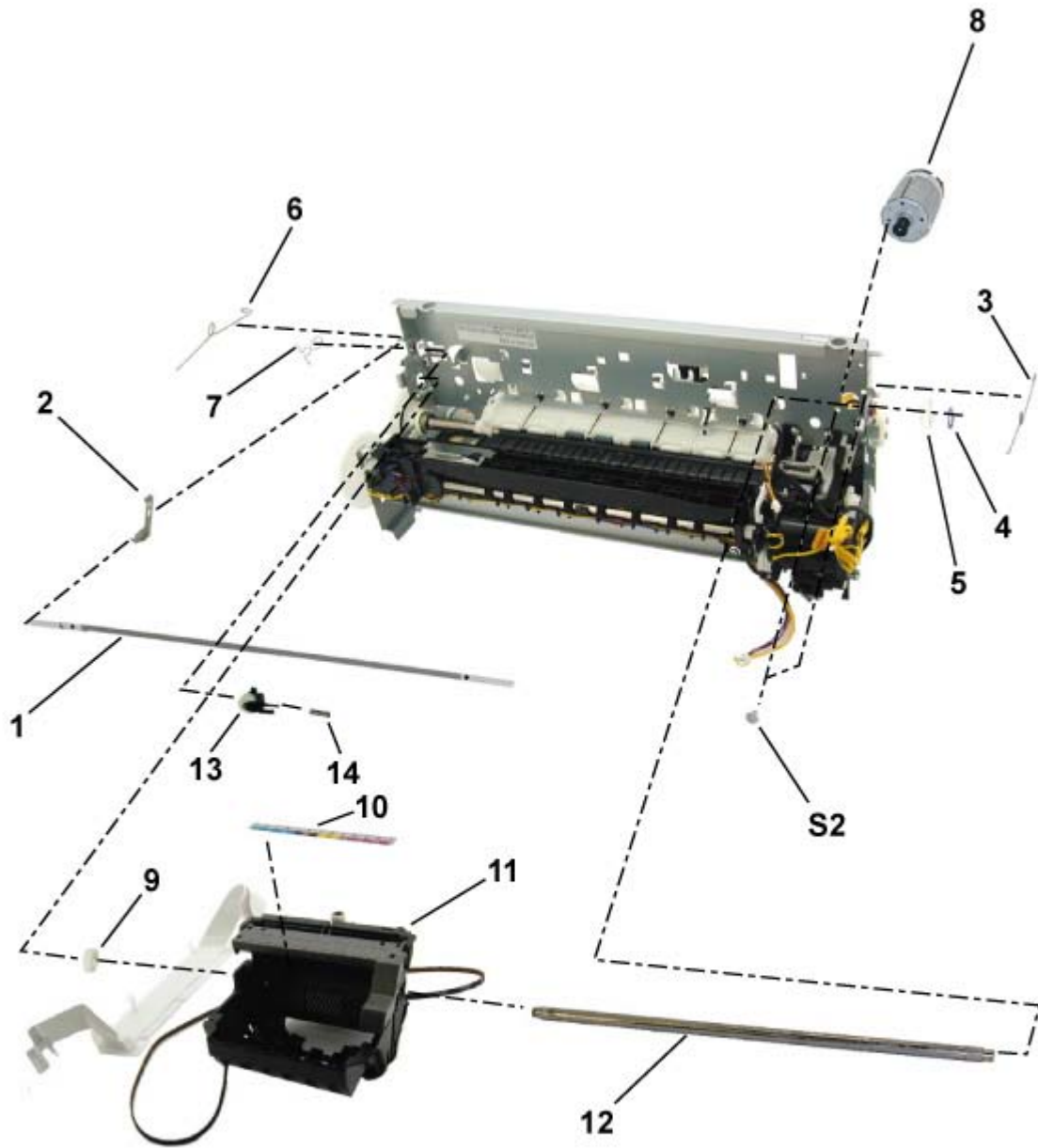


FIGURE & KEY No.		PART NUMBER	RANK	QTY	DESCRIPTION	REMARKS
9 -	1	QC1-4284-000		1	FILM, TIMING SLIT STRIP	
	2	QA4-0990-000		1	SPRING, LEAF	
	3	QC1-4280-000		1	CLIP, SHAFT R	
	4	QC1-2289-000		1	RING, CARRIAGE SHAFT	
	5	QC1-4282-000		1	CAM, CARRIAGE SHAFT R	
	6	QC1-4279-000		1	CLIP, SHAFT L	
	7	QC1-2510-000		1	CLIP, CARRIAGE SHAFT	
	8	QK1-0545-000		1	MOTOR, CARRIAGE	
	9	QC1-4281-000		1	CAM, CARRIAGE SHAFT L	
	10	QC1-5299-000		1	LABEL, TANK	FOR iP6000D
		QC1-5300-000		1	LABEL, TANK	FOR iP6100D
	11	QM2-1499-000		1	CARRIAGE UNIT	
	12	QC1-4274-000	N	1	SHAFT, CARRIAGE	
	13	QL2-0597-000		1	IDLER PULLEY ASS'Y	
	14	QC1-2290-000		1	SPRING, COIL	

FIGURE 10 PURGE UNIT

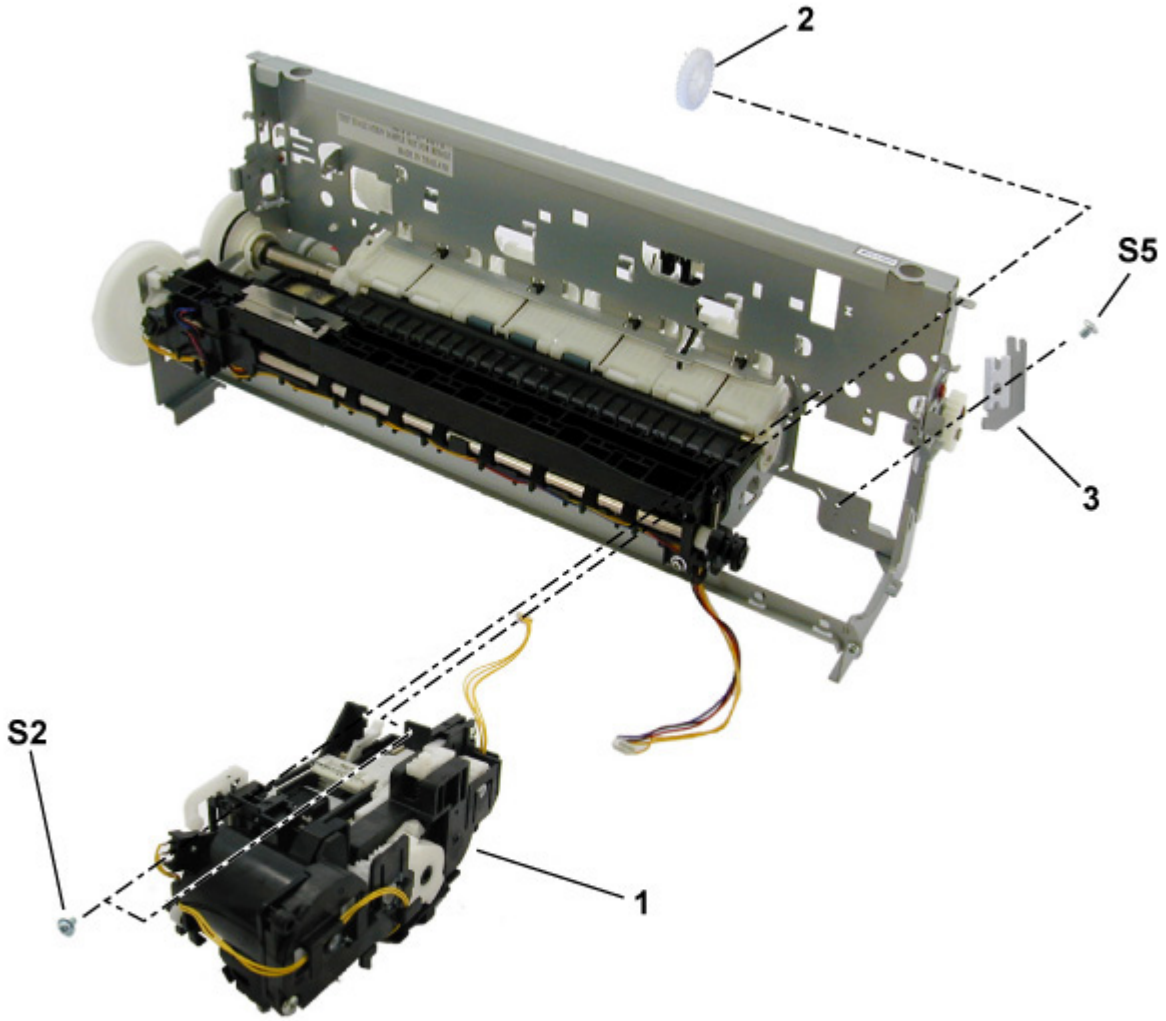


FIGURE & KEY No.		PART NUMBER	RANK	QTY	DESCRIPTION	REMARKS
10 -	1	QM2-1500-000		1	PURGE UNIT	
	2	QC1-4390-000		1	GEAR, TRANSMISSION	
	3	QC1-4875-000	N	1	PLATE, PURGE	

FIGURE 11 PLATEN UNIT

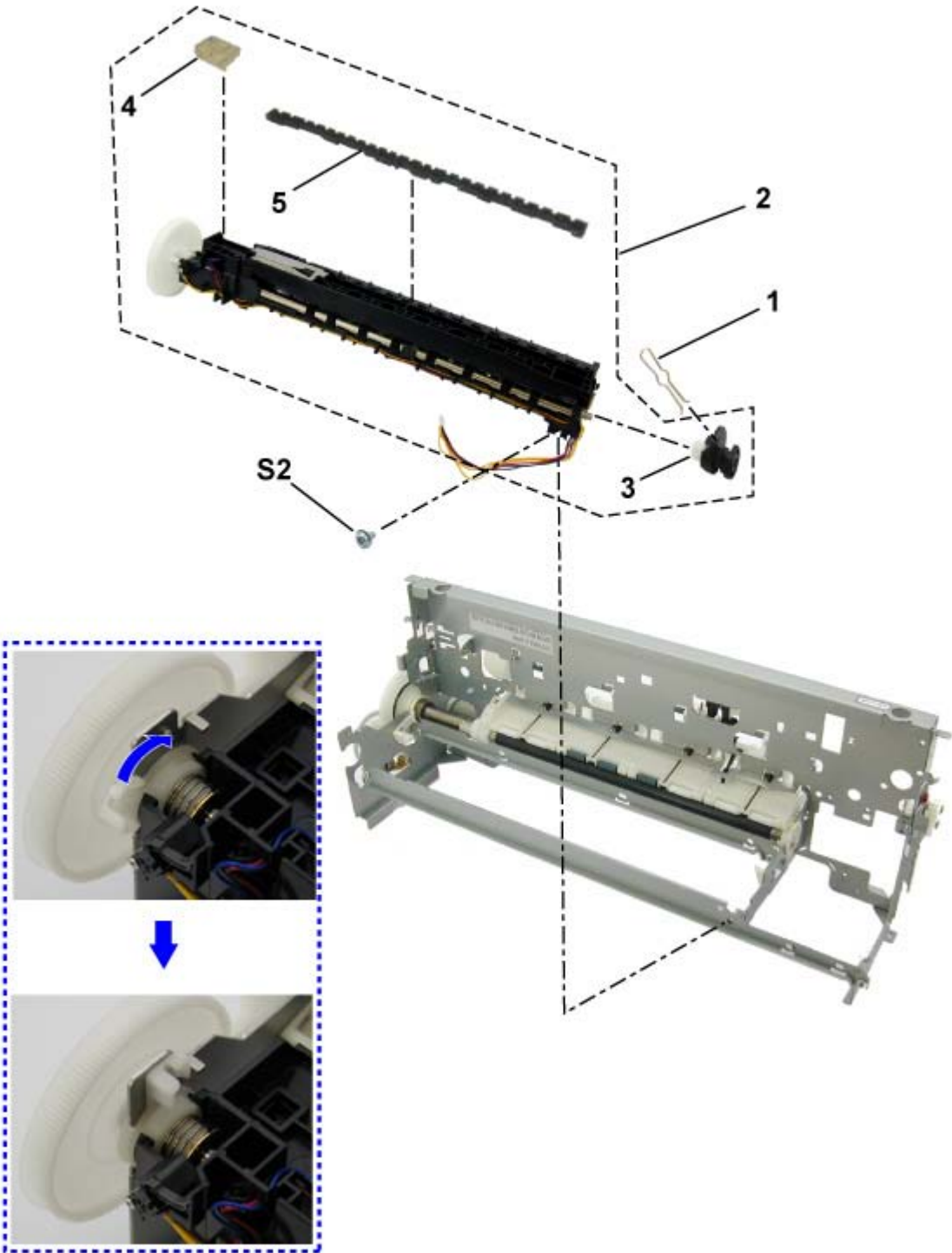


FIGURE & KEY No.		PART NUMBER	RANK	QTY	DESCRIPTION	REMARKS
11 -	1	QC1-5850-000		1	SPRING, VALVE CAM	
	2	QM2-1510-000		1	PLATEN UNIT	
	3	QC1-4376-000		1	CAM, VALVE	
	4	QC1-4879-000		1	ABSORBER, INK	
	5	QC1-4368-000		1	ABSORBER, INK	

FIGURE 12 PAPER FEED & CARRIAGE LIFT PART

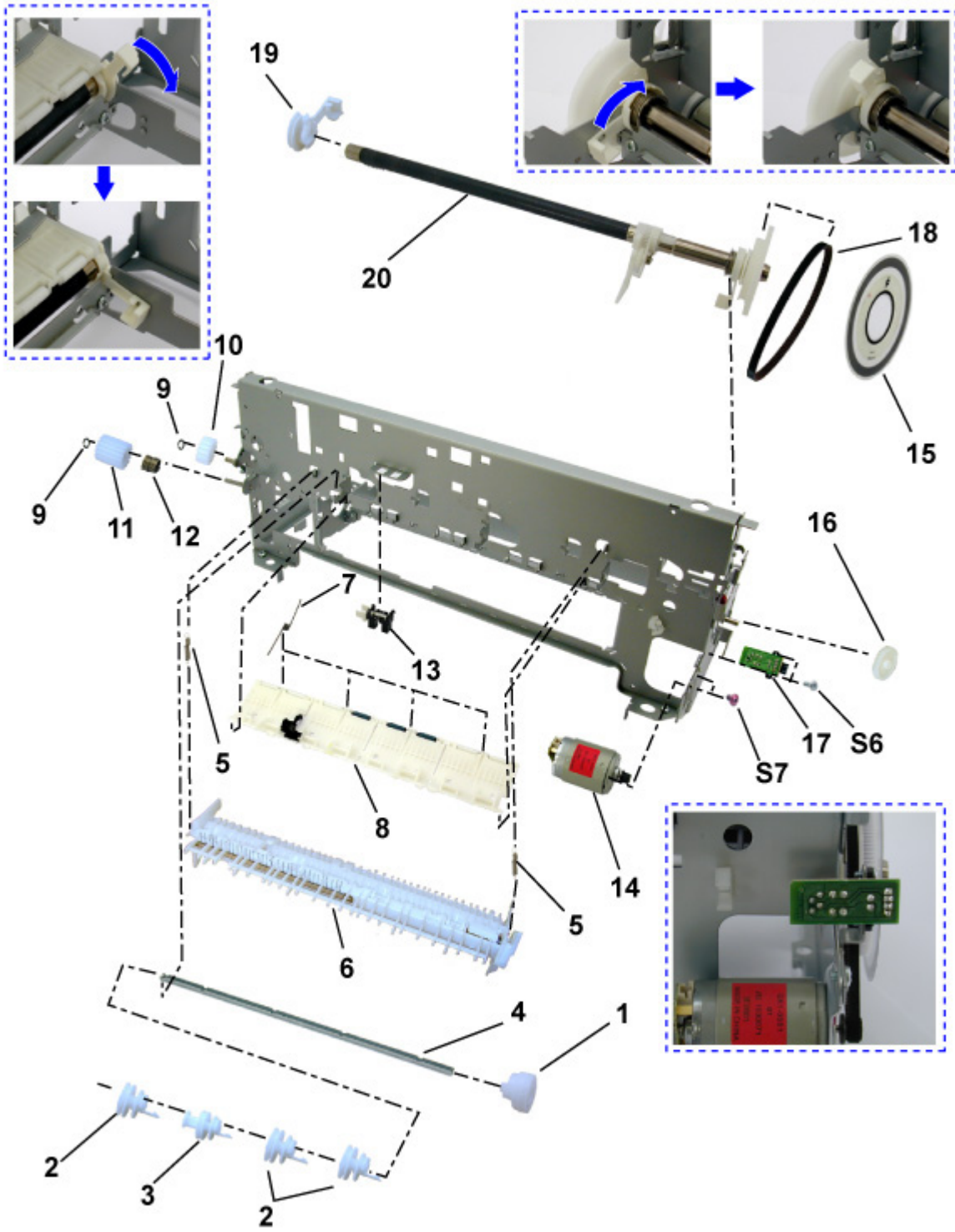


FIGURE & KEY No.		PART NUMBER	RANK	QTY	DESCRIPTION	REMARKS
12 -	1	QC1-4333-000		1	GEAR, LIFT SHAFT	
	2	QC1-4332-000		3	CAM, LIFT SHAFT	
	3	QC1-4837-000		1	CAM, PAPER END RELEASE	
	4	QC1-4331-000	N	1	SHAFT, LIFT	
	5	QU1-2098-000		2	SPRING, HOOK END COIL	
	6	QM2-1226-000		1	PAPER GUIDE UNIT	
	7	QC1-4346-000		4	SPRING, TORSION	
	8	QM2-1235-000		1	PRESSURE ROLLER ASS'Y	
	9	QC1-4391-000		2	RING, LIFT TRANSMISSION GEAR	
	10	QC1-4327-000		1	GEAR, LIFT TRANSMISSION	
	11	QC1-4328-000		1	GEAR, LIFT TRANSMISSION	
	12	QC1-4329-000		1	SPRING, COIL	
	13	WG8-5624-000		1	IC, PHOTO INTERRUPTER	
	14	QK1-0550-000		1	MOTOR, PAPER FEED	
	15	QC1-4833-000		1	FILM, TIMING SLIT DISK	
	16	QC1-4340-000		1	GEAR, EJECT	
	17	QM2-1213-000		1	TIMING SENSOR UNIT	
	18	QC1-4836-000		1	BELT, PAPER FEED	
	19	QC1-4351-000		1	BUSHING	
	20	QL2-0598-000		1	FEED ROLLER ASS'Y	

FIGURE 13 OPTION & CONSUMABLES



FIGURE & KEY No.		PART NUMBER	RANK	QTY	DESCRIPTION	REMARKS
13 -	1	NPN		1	BLACK INK TANK BCI-6BK	CONSUMABLES
		NPN		1	CYAN INK TANK BCI-6C	CONSUMABLES
		NPN		1	MAGENTA INK TANK BCI-6M	CONSUMABLES
		NPN		1	YELLOW INK TANK BCI-6Y	CONSUMABLES
		NPN		1	PHOTO CYAN INK TANK BCI-6PC	CONSUMABLES
		NPN		1	PHOTO MAGENTA INK TANK BCI-6PM	CONSUMABLES
	2	NPN		1	BLACK INK TANK BCI-7BK	CONSUMABLES
		NPN		1	CYAN INK TANK BCI-7C	CONSUMABLES
		NPN		1	MAGENTA INK TANK BCI-7M	CONSUMABLES
		NPN		1	YELLOW INK TANK BCI-7Y	CONSUMABLES
		NPN		1	PHOTO CYAN INK TANK BCI-7PC	CONSUMABLES
		NPN		1	PHOTO MAGENTA INK TANK BCI-7PM	CONSUMABLES

D. SCREW & WASHER LIST

[Contents](#)

FIGURE & KEY No.		PART NUMBER	RANK	QTY	DESCRIPTION	REMARKS
S -	1	XB4-7300-805			SCREW, TP, BH3X8	
	2	XB6-7300-605			SCREW, MACHINE, WASHER HEAD, M3x6	
	3	XB4-7300-605			SCREW, BH M3X6	
	4	XA9-1258-000			SCREW, TAP, WASHER HEAD, M3X12	
	5	XB1-2300-405			SCREW, MACH.BH, M3X4	
	6	XB1-2200-505			SCREW, MACH, TRUSS HEAD, M2X5	
	7	XA9-1437-000			SCREW, BIND, M2.6X4(RED)	

FIGURE 14 TOOL

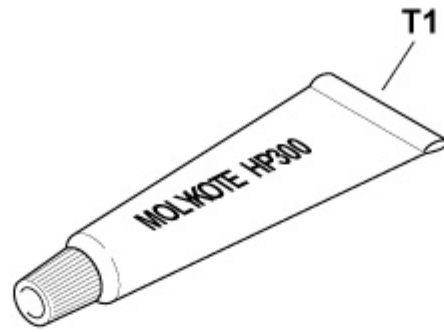


FIGURE & KEY No.		PART NUMBER	RANK	QTY	DESCRIPTION	REMARKS
T -	1	QY9-0035-000		1	GREASE, MOLYKOTE HP300	
	2	QY9-0057-000		1	LUBE, FLOIL KG107A, OIL	

F. NUMERICAL INDEX

PART NUMBER	FIGURE & KEY No.		DESCRIPTION
QA4-0990-000	9 -	2	SPRING, LEAF
QA4-1117-000	1 -	4	TRAY, CD SUB
QC1-2289-000	9 -	4	RING, CARRIAGE SHAFT
QC1-2290-000	9 -	14	SPRING, COIL
QC1-2510-000	9 -	7	CLIP, CARRIAGE SHAFT
QC1-4221-000	8 -	1	ABSORBER, INK
QC1-4222-000	8 -	3	ABSORBER, INK
QC1-4223-000	8 -	5	ABSORBER, INK
QC1-4224-000	8 -	6	ABSORBER, INK
QC1-4252-000	3 -	9	ARM, RELEASE
QC1-4257-000	8 -	8	ABSORBER, INK
QC1-4261-000	3 -	2	EMBLEM, PIXMA
QC1-4263-000	8 -	4	ABSORBER, INK
QC1-4264-000	8 -	7	ABSORBER, INK
QC1-4274-000	9 -	12	SHAFT, CARRIAGE
QC1-4279-000	9 -	6	CLIP, SHAFT L
QC1-4280-000	9 -	3	CLIP, SHAFT R
QC1-4281-000	9 -	9	CAM, CARRIAGE SHAFT L
QC1-4282-000	9 -	5	CAM, CARRIAGE SHAFT R
QC1-4284-000	9 -	1	FILM, TIMING SLIT STRIP
QC1-4286-000	1 -	2	COVER, CASSETTE
QC1-4327-000	12 -	10	GEAR, LIFT TRANSMISSION
QC1-4328-000	12 -	11	GEAR, LIFT TRANSMISSION
QC1-4329-000	12 -	12	SPRING, COIL
QC1-4331-000	12 -	4	SHAFT, LIFT
QC1-4332-000	12 -	2	CAM, LIFT SHAFT
QC1-4333-000	12 -	1	GEAR, LIFT SHAFT
QC1-4340-000	12 -	16	GEAR, EJECT
QC1-4346-000	12 -	7	SPRING, TORSION
QC1-4351-000	12 -	19	BUSHING
QC1-4368-000	11 -	5	ABSORBER, INK
QC1-4376-000	11 -	3	CAM, VALVE
QC1-4390-000	10 -	2	GEAR, TRANSMISSION
QC1-4391-000	12 -	9	RING, LIFT TRANSMISSION GEAR
QC1-4456-000	2 -	2	COVER, PAPER FEED GUIDE
QC1-4833-000	12 -	15	FILM, TIMING SLIT DISK
QC1-4836-000	12 -	18	BELT, PAPER FEED
QC1-4837-000	12 -	3	CAM, PAPER END RELEASE
QC1-4864-000	8 -	2	ABSORBER, INK
QC1-4875-000	10 -	3	PLATE, PURGE
QC1-4879-000	11 -	4	ABSORBER, INK
QC1-5299-000	9 -	10	LABEL, TANK
QC1-5300-000	9 -	10	LABEL, TANK
QC1-5304-000	4 -	16	KEY, POWER

PART NUMBER	FIGURE & KEY No.		DESCRIPTION
QC1-5305-000	4 -	14	KEY, PRINT
QC1-5306-000	4 -	15	KEY, SAVE
QC1-5307-000	4 -	13	KEY, SELECT
QC1-5309-000	4 -	17	GUIDE, LED
QC1-5310-000	4 -	18	LABEL, KEY, JP
QC1-5311-000	4 -	12	KEY, OK
QC1-5313-000	4 -	9	PLATE, CARD SLOT
QC1-5314-000	5 -	5	SPRING, OPERATION PANEL GND
QC1-5317-000	4 -	2	COVER, LCD UPPER
QC1-5318-000	4 -	3	COVER, LCD LOWER
QC1-5319-000	3 -	4	COVER, CARD SLOT
QC1-5329-000	3 -	8	CASE, MAIN
QC1-5330-000	3 -	5	COVER, TOP L
QC1-5334-000	3 -	6	COVER, I/F
QC1-5337-000	4 -	18	LABEL, KEY, US
QC1-5339-000	4 -	4	WINDOW, LCD
QC1-5340-000	4 -	6	PLATE, LCD SET
QC1-5341-000	4 -	5	PLATE, LCD FACE
QC1-5343-000	3 -	2	EMBLEM, PIXUS
QC1-5355-000	4 -	18	LABEL, KEY, GER
QC1-5356-000	4 -	18	LABEL, KEY, FR
QC1-5357-000	4 -	18	LABEL, KEY, IT
QC1-5358-000	4 -	18	LABEL, KEY, CN
QC1-5359-000	4 -	18	LABEL, KEY, KR
QC1-5360-000	4 -	18	LABEL, KEY, TW/HK
QC1-5361-000	4 -	18	LABEL, KEY, LAM
QC1-5850-000	11 -	1	SPRING, VALVE CAM
QH2-2720-000	1 -	5	CORD, POWER
QH2-2724-000	1 -	5	CORD, POWER
QH2-2725-000	1 -	5	CORD, POWER
QH2-2726-000	1 -	5	CORD, POWER
QH2-2727-000	1 -	5	CORD, POWER
QK1-0256-000	4 -	7	CABLE, LCD
QK1-0545-000	9 -	8	MOTOR, CARRIAGE
QK1-0550-000	12 -	14	MOTOR, PAPER FEED
QK1-0876-000	2 -	1	AC ADAPTER: 100V-120V 50/60HZ
QK1-0878-000	2 -	1	AC ADAPTER: 220V-240V 50/60HZ
QK1-1002-000	5 -	1	CABLE, PANEL
QK1-1133-000	5 -	4	USB HARNESS ASS'Y
QL2-0597-000	9 -	13	IDLER PULLEY ASS'Y
QL2-0598-000	12 -	20	FEED ROLLER ASS'Y
QL2-0605-000	1 -	3	CDR TRAY ASS'Y
QM2-1213-000	12 -	17	TIMING SENSOR UNIT
QM2-1220-000	7 -	4	SHEET FEED UNIT

PART NUMBER	FIGURE & KEY No.		DESCRIPTION
QM2-1225-000	1 -	1	CASSETTE UNIT
QM2-1226-000	12 -	6	PAPER GUIDE UNIT
QM2-1235-000	12 -	8	PRESSURE ROLLER ASS'Y
QM2-1490-000	3 -	10	CDR TRAY BASE UNIT
QM2-1491-000	3 -	7	FRONT COVER R UNIT
QM2-1493-000	4 -	1	LCD VIEWER UNIT
QM2-1494-000	3 -	3	ACCESS COVER UNIT
QM2-1495-000	3 -	1	PAPER SUPPORT UNIT
QM2-1496-000	5 -	6	BOTTOM CASE UNIT
QM2-1497-000	3 -	11	FRONT DOOR UNIT
QM2-1499-000	9 -	11	CARRIAGE UNIT
QM2-1500-000	10 -	1	PURGE UNIT
QM2-1503-000	5 -	3	DCC HOLDER UNIT
QM2-1508-000	3 -	3	ACCESS COVER UNIT
QM2-1510-000	11 -	2	PLATEN UNIT
QM2-1511-000	3 -	10	INNER COVER UNIT
QM2-1512-000	4 -	19	OPERATION COVER UNIT
QM2-1513-000	4 -	11	PANEL BOARD ASS'Y
QM2-1554-000	7 -	3	MOTOR MULTI HARNESS ASS'Y
QM2-1557-000	7 -	2	SENSOR MULTI HARNESS ASS'Y
QM2-1779-000	7 -	1	DC CONNECTOR ASS'Y
QM2-1781-000	5 -	2	CARD-USB HARNESS ASS'Y
QM2-1783-000	4 -	8	GROUNDING HARNESS ASS'Y
QM2-1786-000	6 -	1	LOGIC BOARD ASS'Y
QM2-1788-000	4 -	10	CARD BOARD ASS'Y
QU1-2098-000	12 -	5	SPRING, HOOK END COIL
QY6-0050-000	1 -	6	PRINT HEAD
QY9-0035-000	T -	1	GREASE, MOLYKOTE HP300
QY9-0057-000	T -	2	LUBE, FLOIL KG107A, OIL
WG8-5624-000	12 -	13	IC, PHOTO INTERRUPTER
WT3-5156-000	1 -	5	CORD, POWER
WT3-5160-000	1 -	5	CORD, POWER
WT3-5182-000	1 -	5	CORD, POWER
XA9-1258-000	S -	4	SCREW, TAP, WASHER HEAD, M3X12
XA9-1437-000	S -	7	SCREW, BIND, M2.6X4(REDF)
XB1-2200-505	S -	6	SCREW, MACH, TRUSS HEAD, M2X5
XB1-2300-405	S -	5	SCREW, MACH.BH, M3X4
XB4-7300-605	S -	3	SCREW, BH M3X6
XB4-7300-805	S -	1	SCREW, TP, BH3X8
XB6-7300-605	S -	2	SCREW, MACHINE, WASHER HEAD, M3x6