

PIXUS iP5200R

PIXMA iP5200R

PARTS CATALOG

REVISION 0

0195B001AA	PIXMA iP5200R / 120V(US)
0195B002AA	PIXMA iP5200R / 120V(CA)
0195B006AA	PIXMA iP5200R / 220V-240V(EUM)
0195B008AA	PIXMA iP5200R / 220V-240V(ASA HVT)
0195B009AA	PIXMA iP5200R / 220V-240V(AU)
0195B011AA	PIXMA iP5200R / 220V-240V(GB)
0195B012AA	PIXUS iP5200R / 100V(JP)
0195B014AA	PIXMA iP5200R / 220V-240V(HK)



SEPT. 2005

QY8-31CJ-000

COPYRIGHT © 2005 CANON INC. CANON PIXUS iP5200R / PIXMA iP5200R 0905 N 0.00-0

Application

This manual has been issued by Canon Inc. for qualified person to learn technical theory, installation, maintenance, and repair of products. This manual covers all localities where the products are sold. For this reason, there may be information in this manual that does not apply to your locality.

Corrections

This manual could include technical inaccuracies or typographical errors due to improvements or changes in the products. When changes occur in applicable products or in the content of this manual, Canon will release technical information as the need arises. In the event of major changes in the contents of this manual over a long or short period. Canon will issue a new editions of this manual. The following paragraph does not apply to any countries where such provisions are inconsistent with local law.

Trademarks

The product names and company names described in this manual are the registered trademarks of the individual companies.

Copyright

This manual is copyrighted with all rights reserved. Under the copyright laws, this manual may not be copied, reproduced or translated into another language, in whole or in part, without the written consent of Canon Inc.

Copyright © 2005 by Canon Inc.

CANON INC.

Inkjet Device Quality Assurance Div. 2

451, Tsukagoshi, 3-chome, Saiwai-ku, Kawasaki-shi, Kanagawa 213-8512, Japan

This manual was created under Microsoft® Windows® 2000.

Parts layout pictures were edited using Adobe® Photoshop® 7.0. KEY No. were created using Adobe® Illustrator®10.

HTML files were created using Microsoft® FrontPage® 2000.

ABOUT THIS MANUAL

A. ILLUSTRATION INDEX

For illustration index, the parts layout illustrations in this parts catalog are listed in abbreviated form in order of illustration number to identify the pages they appear on. To find an illustration of a part, see the ILLUSTRATION INDEX.

B. PARTS LAYOUT & PARTS LIST

Parts layout illustration

a) Parts search

Find a part from the parts layout illustration and find its key number from the parts list to identify the part number and name. For screws, nuts, washers, lock washers, pins, spacers, see SCREWS & WASHERS LIST.

Note: If parts have the same or similar shape but different specifications, their key number is assigned to several part numbers and names in the parts list.

b) Parts replacement procedure

To replace parts, the parts layout illustrations have figure numbers according to the disassembly procedure of the product. The parts that require careful work are shown the illustration.

Parts list

a) FIGURE & KEY No.

The FIGURE & KEY No. column corresponds to the key numbers assigned to the parts in the parts layout illustration.

b) PART NUMBER

The PART NUMBER column gives the part numbers corresponding to the key numbers. To order a part, indicate the part number clearly.

Note: Parts marked NPN are not service parts.

c) RANK

The service parts with N in the RANK column are order parts.

d) QTY

The QTY column gives the number of parts in the corresponding components layout illustration.

e) DESCRIPTION

The DESCRIPTION column gives the part names in English.

To order a part, indicate the part name, too.

C. OPTIONS & CONSUMABLES

These are illustrations and a list of units that can be used as optional consumable equipments.

D. SCREWS & WASHERS LIST

This is a list of screws, nuts, washers, lock washers, pins, and spacers.

The QTY column does not give the number of parts used.

E. TOOL LIST

This is a list of tools used for servicing products.

F. NUMERICAL INDEX

All the parts listed in this parts catalog are arranged in order of part number. You can identify part locations and names from the NUMERICAL INDEX.

Contents

- A. ILLUSTRATION INDEX ▶
- B. PARTS LAYOUT & PARTS LIST ▶
- C. OPTION & CONSUMABLES ▶
- D. SCREW & WASHER LIST ▶
- E. TOOL ▶
- F. NUMERICAL INDEX ▶

A. ILLUSTRATION INDEX

FIGURE 1 PRINTER & CASSETTE UNIT & PRINT HEAD



FIGURE 2 AC ADAPTER

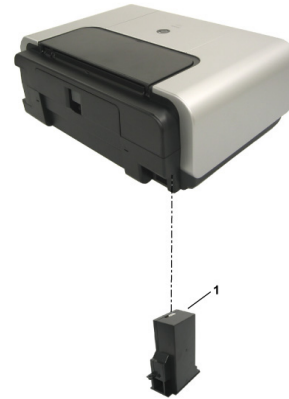


FIGURE 3 OPERATION PANEL UNIT & MAIN CASE UNIT

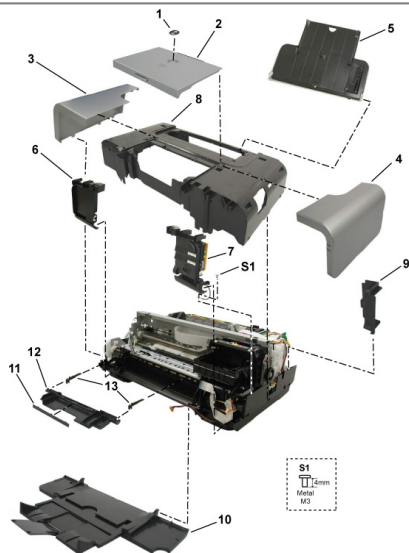


FIGURE 4 BOTTOM CASE UNIT & INK ABSORBER

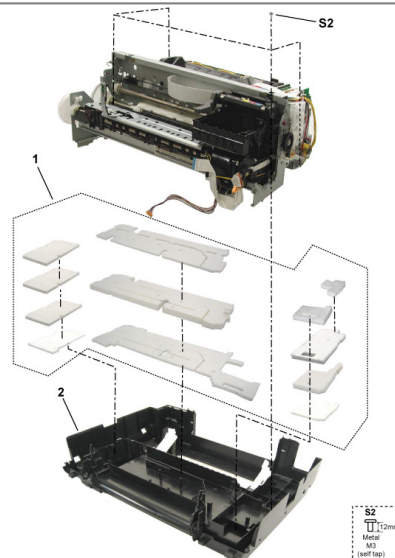


FIGURE 5 LOGIC BOARD ASS'Y & NIC BOARD ASS'Y

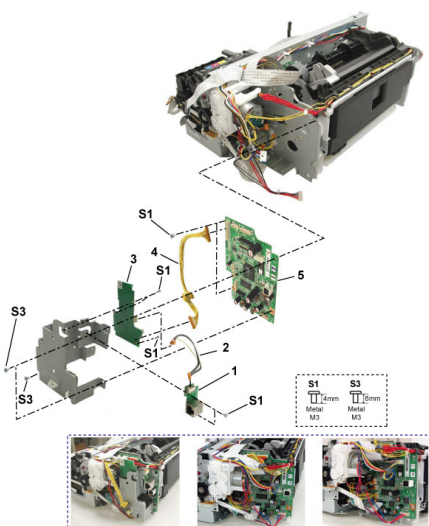


FIGURE 6 SHEET FEED UNIT

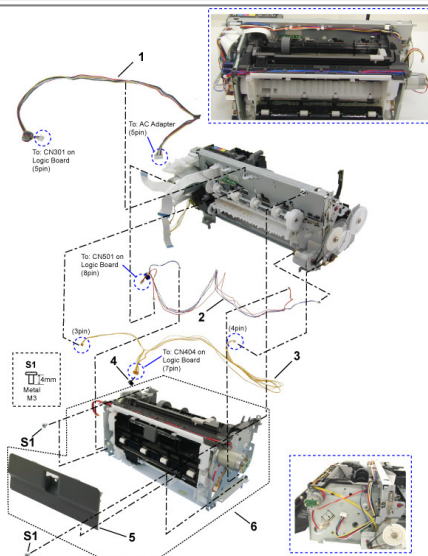


FIGURE 7 CARRIAGE UNIT

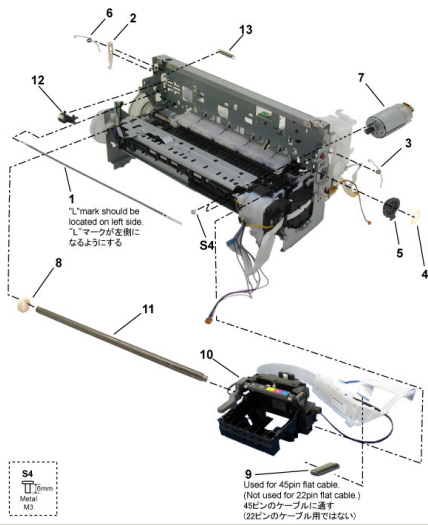


FIGURE 8 PLATEN UNIT

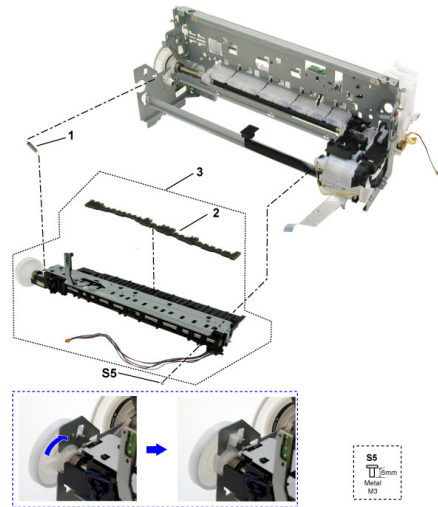


FIGURE 9 PURGE UNIT

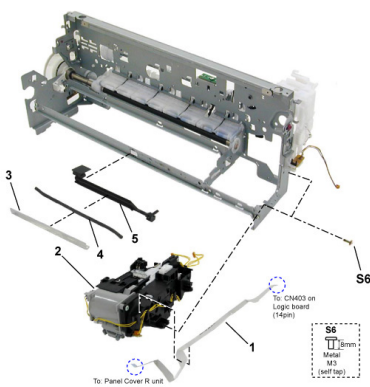


FIGURE 10 PAPER FEED & CARRIAGE LIFT PART

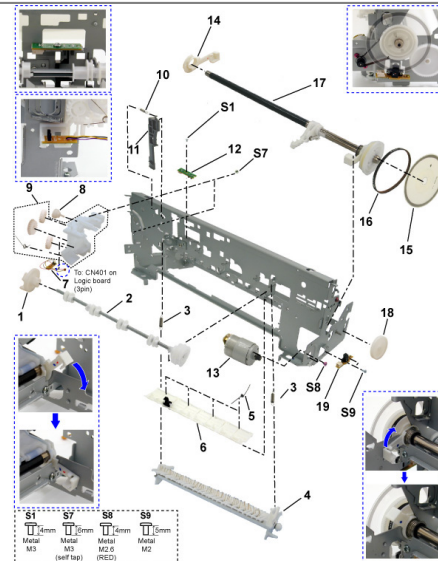


FIGURE 11 OPTION & CONSUMABLES



FIGURE 12 TOOL



This page intentionally left blank

B. PARTS LAYOUT & PARTS LIST

Contents ILLUSTRATION INDEX NUMERICAL INDEX



FIGURE 1 PRINTER & CASSETTE UNIT & PRINT HEAD

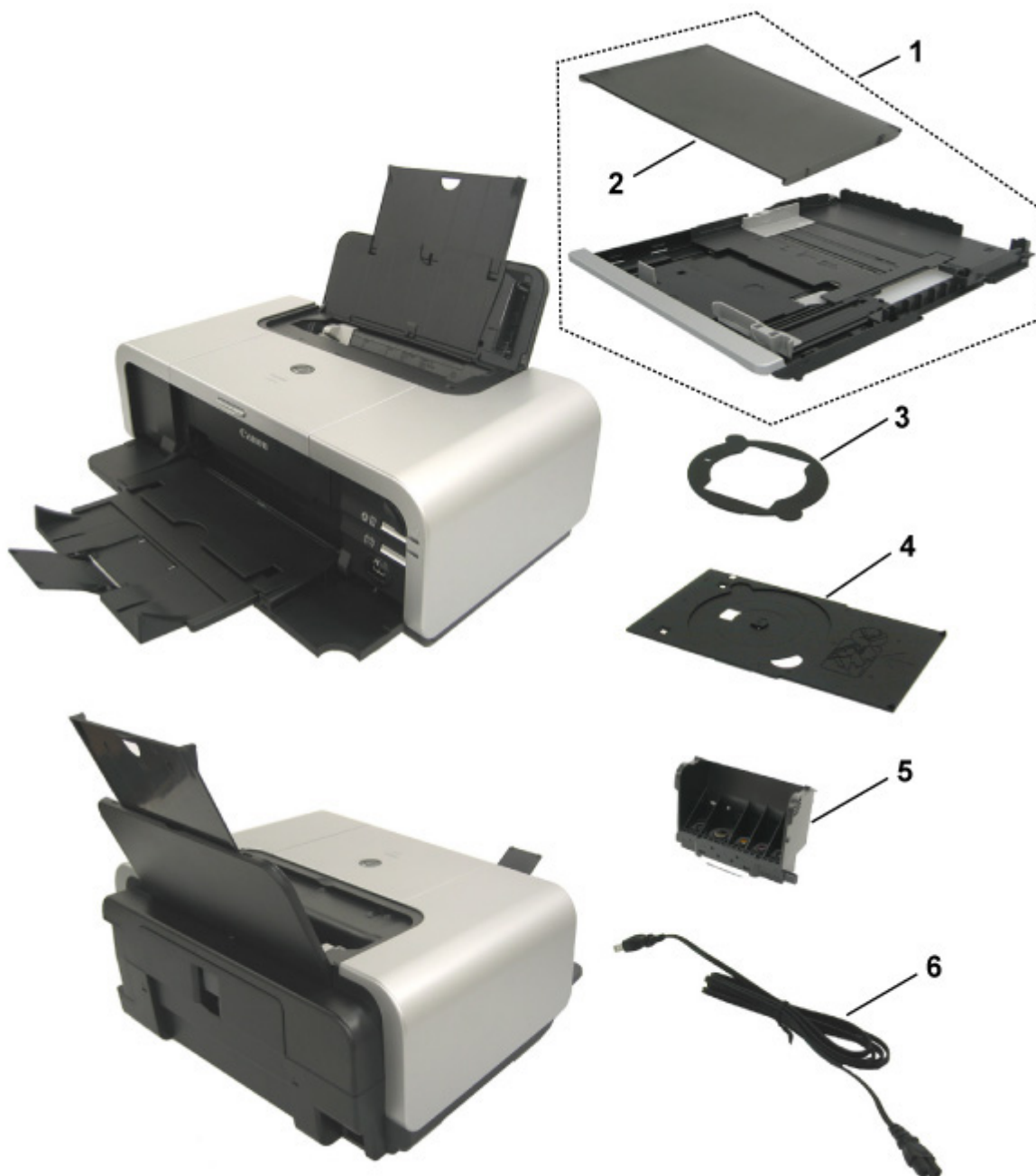


FIGURE & KEY No.		PART NUMBER	RANK	QTY	DESCRIPTION	REMARKS
1 -	1	QM2-2254-000		1	CASSETTE UNIT	
	2	QC1-6377-000		1	COVER, CASSETTE	
	3	QA4-1117-000		1	TRAY, CD SUB	W/ CDR PRINTING
	4	QL2-0931-000		1	CDR TRAY ASS'Y	W/ CDR PRINTING
	5	QY6-0061-000		1	PRINT HEAD	
	6	QK1-0278-000		1	CORD, POWER	100V-120V
		QK1-0279-000		1	CORD, POWER	220V-240V
		QK1-0286-000		1	CORD, POWER	100V-120V(JP)
		QK1-1061-000		1	CORD, POWER	220V-240V(AU)
		WT3-5156-000		1	CORD, POWER	220V-240V(GB, HK)
		WT3-5156-000		1	CORD, POWER	220V-240V(GB, HK)

FIGURE 2 AC ADAPTER

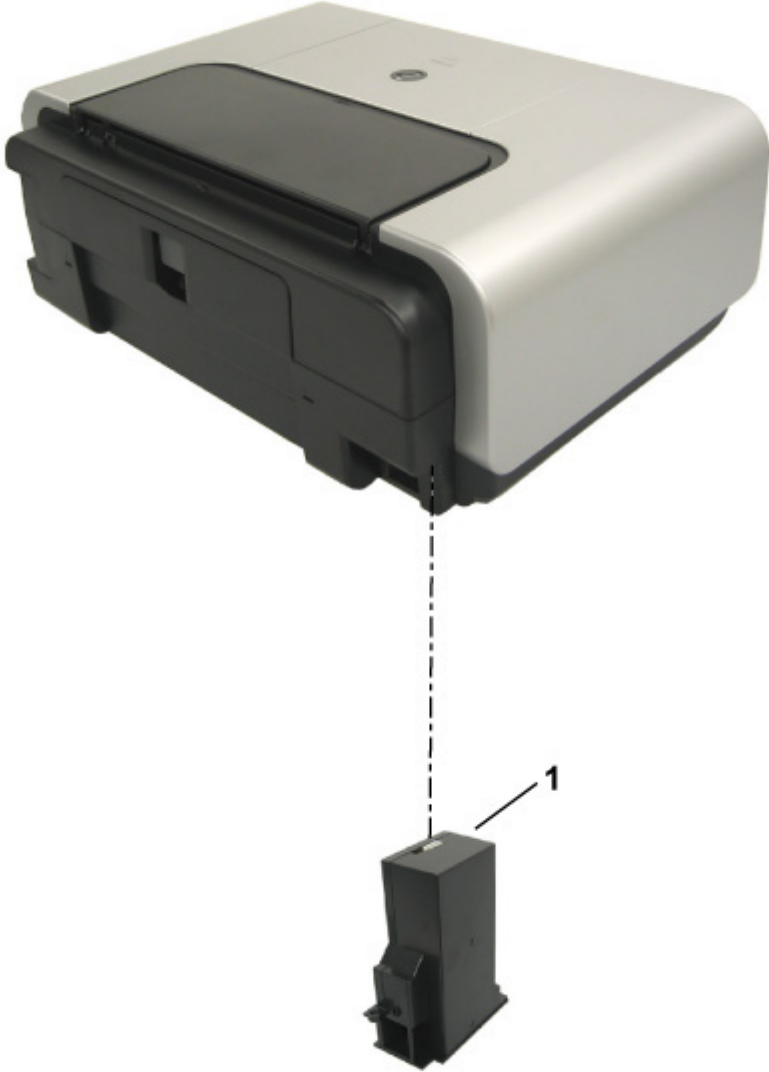


FIGURE & KEY No.		PART NUMBER	RANK	QTY	DESCRIPTION	REMARKS
2 -	1	QK1-1504-000		1	AC ADAPTER: 100V-120V 50/60HZ	
		QK1-1506-000		1	AC ADAPTER: 220V-240V 50/60HZ	

FIGURE 3 OPERATION PANEL UNIT & MAIN CASE UNIT

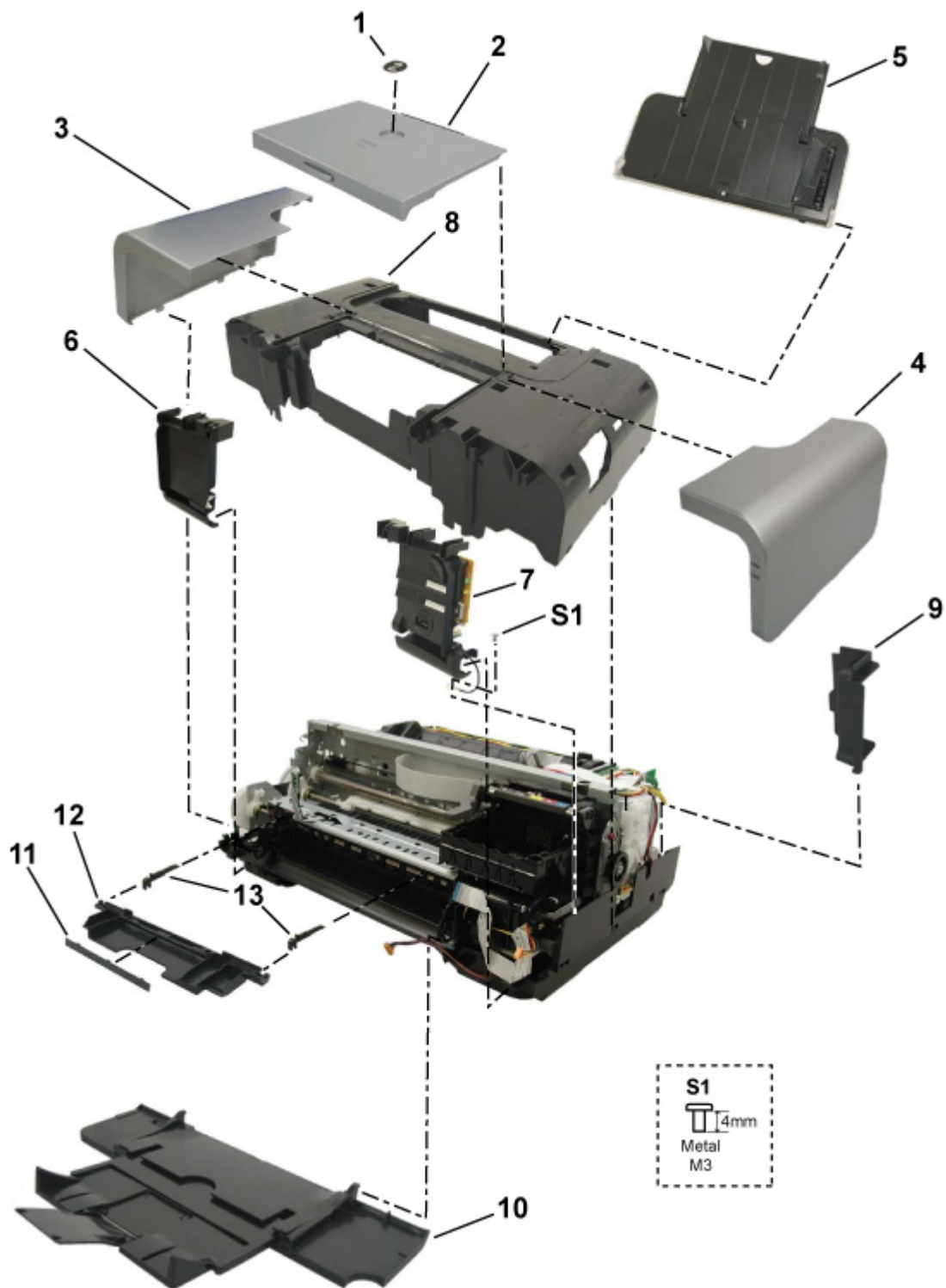


FIGURE & KEY No.		PART NUMBER	RANK	QTY	DESCRIPTION	REMARKS
3 -	1	QC1-4261-000		1	EMBLEM, PIXMA	
		QC1-4265-000		1	EMBLEM, PIXUS	
	2	QM2-3202-000		1	ACCESS COVER UNIT	FOR PIXMA iP5200R
		QM2-3203-000		1	ACCESS COVER UNIT	FOR PIXUS iP5200R
	3	QC1-6566-000		1	COVER, SIDE L	
	4	QM2-2269-000		1	SIDE COVER R UNIT	
	5	QM2-2261-000		1	PAPER SUPPORT UNIT	
	6	QM2-2259-000		1	PANEL COVER L UNIT	
	7	QM2-2260-000		1	PANEL COVER R UNIT	
	8	QM2-2256-000		1	MAIN CASE UNIT	
	9	QC1-8708-000		1	COVER, I/F	
	10	QM2-2263-000		1	FRONT DOOR UNIT	
	11	QC1-6199-000		1	COVER, CDR TRAY BASE	W/O CDR PRINTING
	12	QM2-2255-000		1	CDR TRAY BASE UNIT	
	13	QC1-7454-000		2	ARM, RELEASE	

FIGURE 4 BOTTOM CASE UNIT & INK ABSORBER

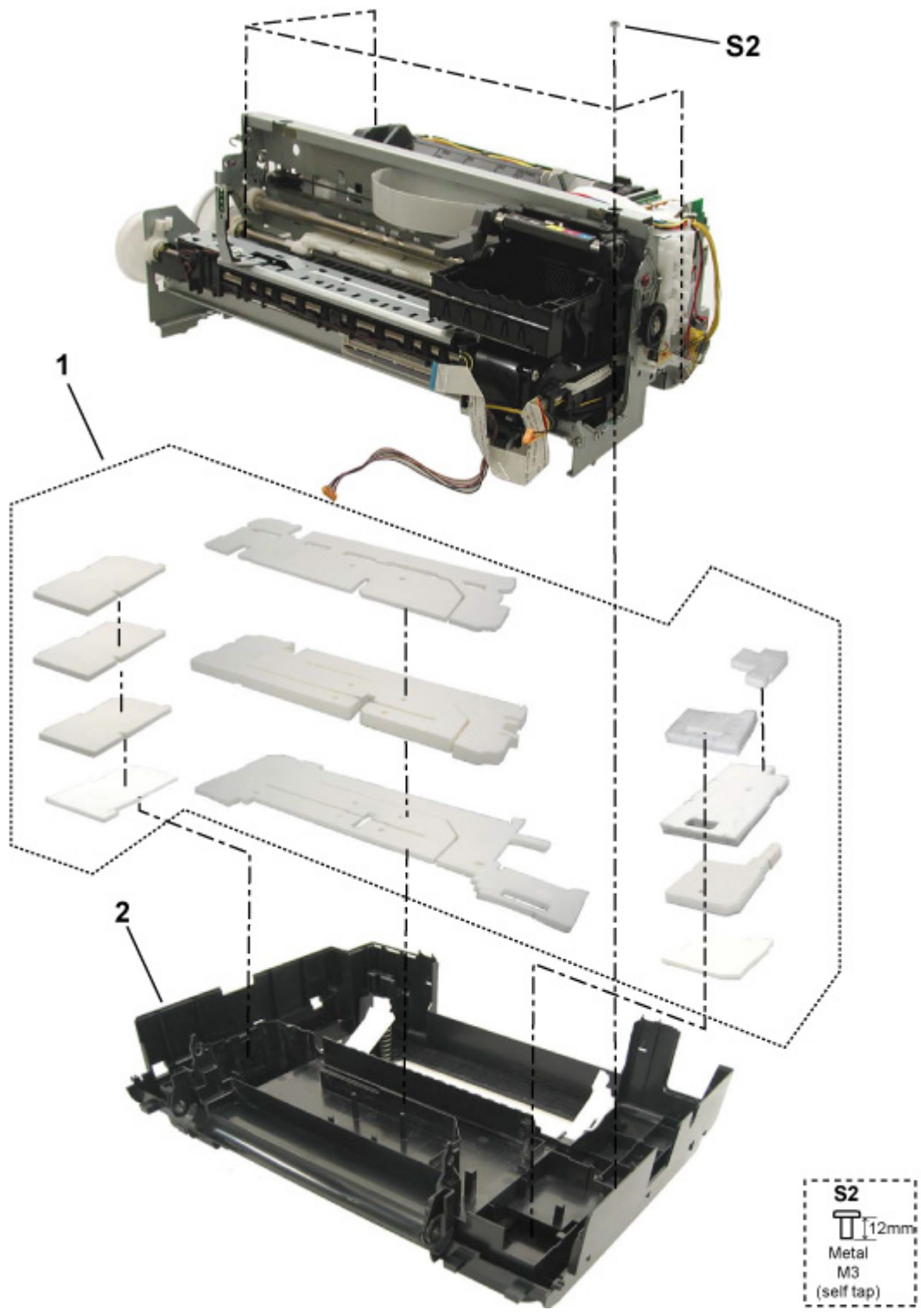


FIGURE & KEY No.		PART NUMBER	RANK	QTY	DESCRIPTION	REMARKS
4 -	1	QY5-0152-000		1	ABSORBER KIT	
	2	QM2-3201-000		1	BOTTOM CASE UNIT	

FIGURE 5 LOGIC BOARD ASS'Y & NIC BOARD ASS'Y

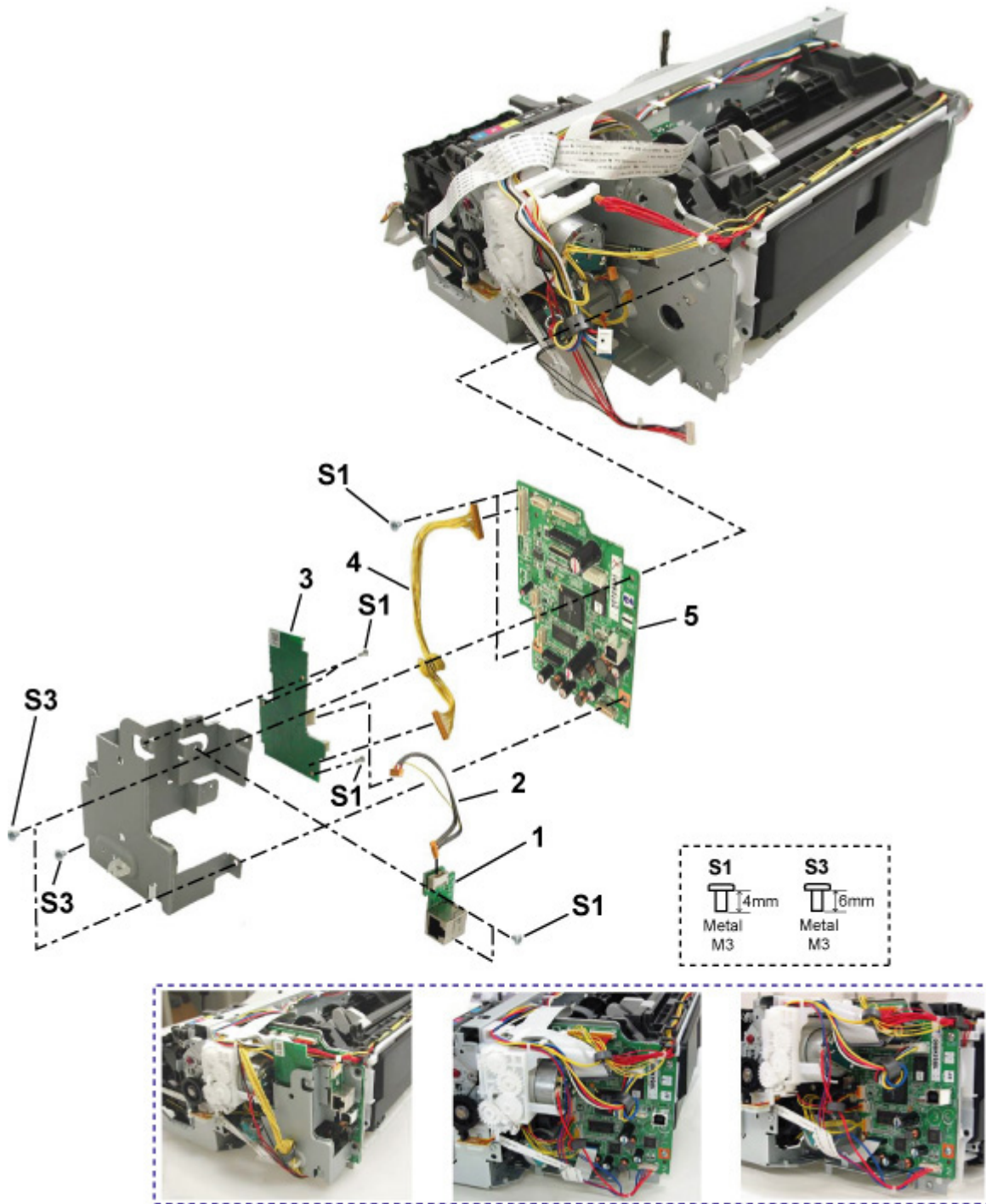


FIGURE & KEY No.		PART NUMBER	RANK	QTY	DESCRIPTION	REMARKS
5 -	1	QM2-3300-000		1	SUB INTERFACE BOARD ASS'Y	
	2	QM2-3298-000		1	NIC SUB HARNESS ASS'Y	
	3	QK1-1973-000		1	NIC BOARD ASS'Y	
	4	QM2-3299-000		1	NIC HARNESS ASS'Y	
	5	QM2-3296-000		1	LOGIC BOARD ASS'Y	

FIGURE 6 SHEET FEED UNIT

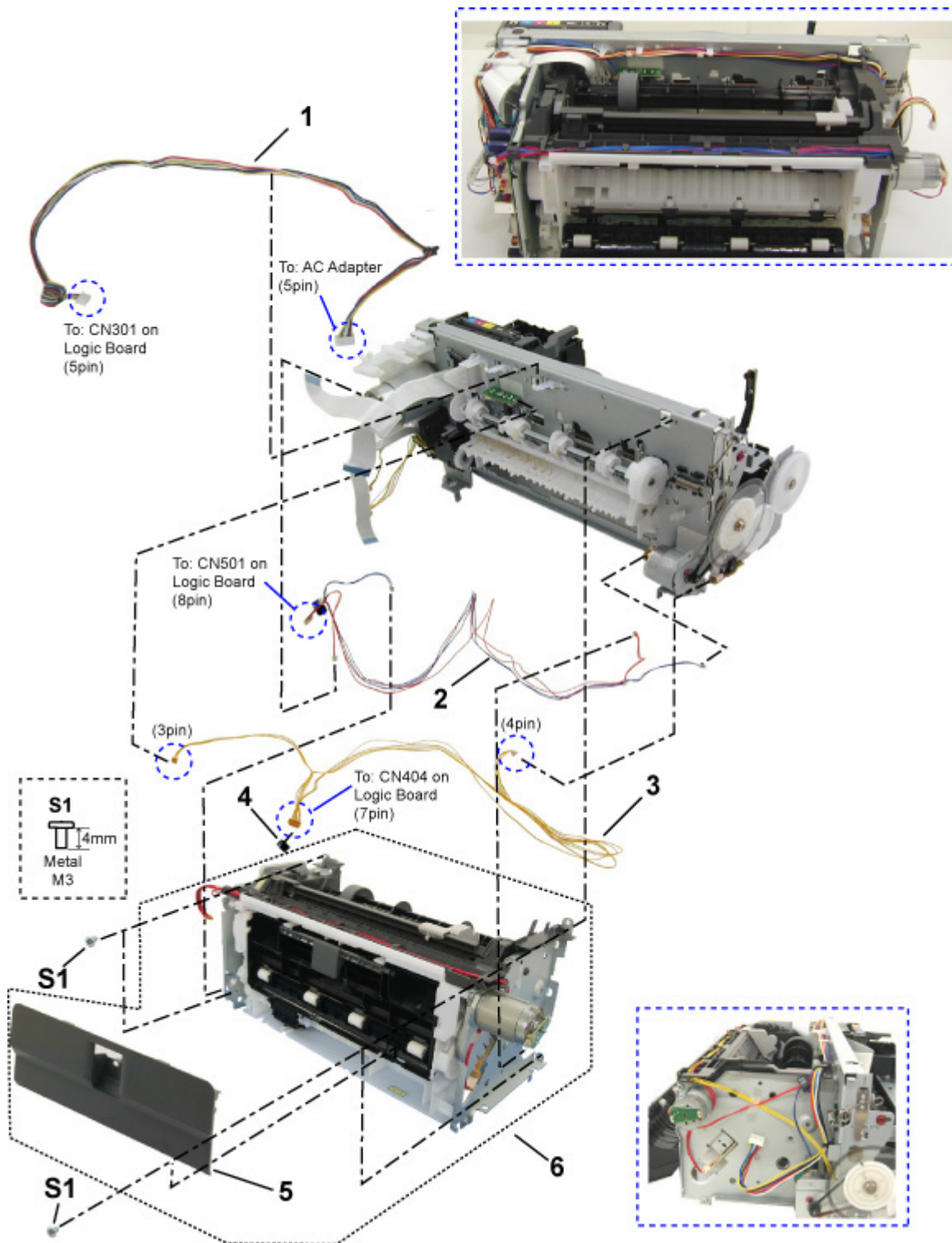


FIGURE & KEY No.		PART NUMBER	RANK	QTY	DESCRIPTION	REMARKS
6 -	1	QM2-3482-000		1	DC CONNECTOR ASS'Y	
	2	QM2-2744-000		1	MOTOR MULTI HARNESS ASS'Y	
	3	QM2-3481-000		1	SENSOR MULTI HARNESS ASS'Y	
	4	WE8-5881-000		1	CORE, RING	
	5	QC1-6647-000		1	COVER, PAPER FEED GUIDE	
	6	QM2-2278-000		1	SHEET FEED UNIT	

FIGURE 7 CARRIAGE UNIT

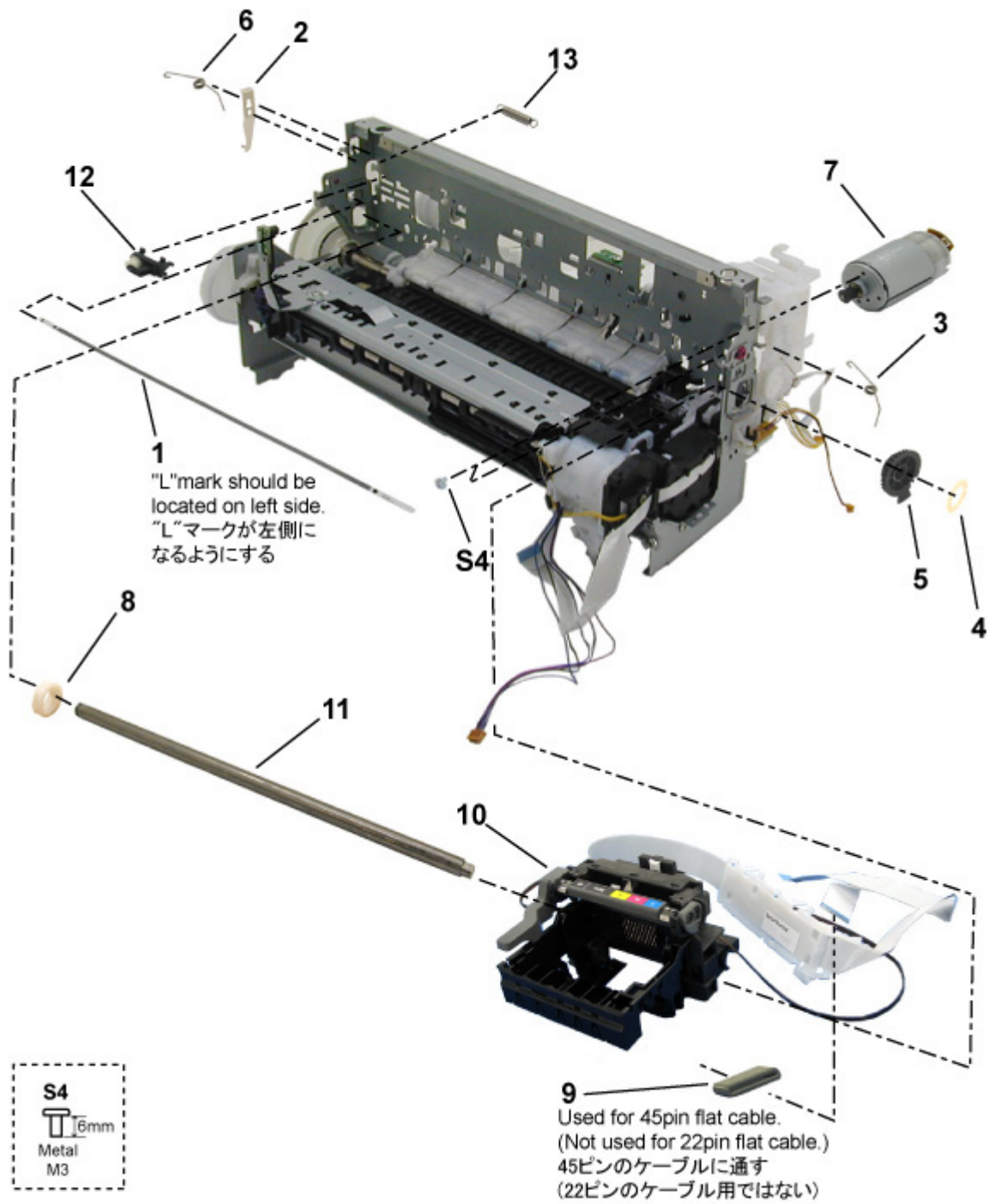


FIGURE & KEY No.		PART NUMBER	RANK	QTY	DESCRIPTION	REMARKS
7 -	1	QC1-6526-000		1	FILM, TIMING SLIT STRIP	
	2	QC1-6201-000		1	SPRING, LEAF	
	3	QC1-6207-000		1	CLIP, SHAFT R	
	4	QC1-6306-000		1	RING, CARRIAGE SHAFT	
	5	QC1-6209-000		1	CAM, CARRIAGE SHAFT R	
	6	QC1-6206-000		1	CLIP, SHAFT L	
	7	QK1-1500-000		1	MOTOR, CARRIAGE	
	8	QC1-6208-000		1	CAM, CARRIAGE SHAFT L	
	9	WE8-6323-000		1	CORE, RING	
	10	QM2-2251-000		1	CARRIAGE UNIT	
	11	QC1-6523-000	N	1	SHAFT, CARRIAGE	
	12	QL2-0938-000		1	IDLER PULLEY ASS'Y	
	13	QC1-6202-000		1	SPRING, COIL	

FIGURE 8 PLATE N UNIT

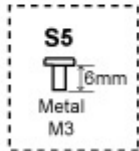
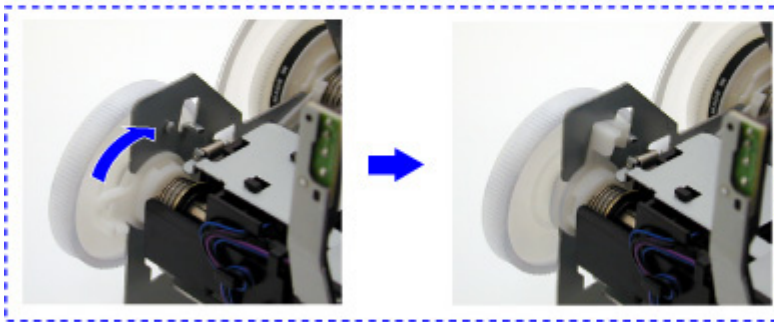
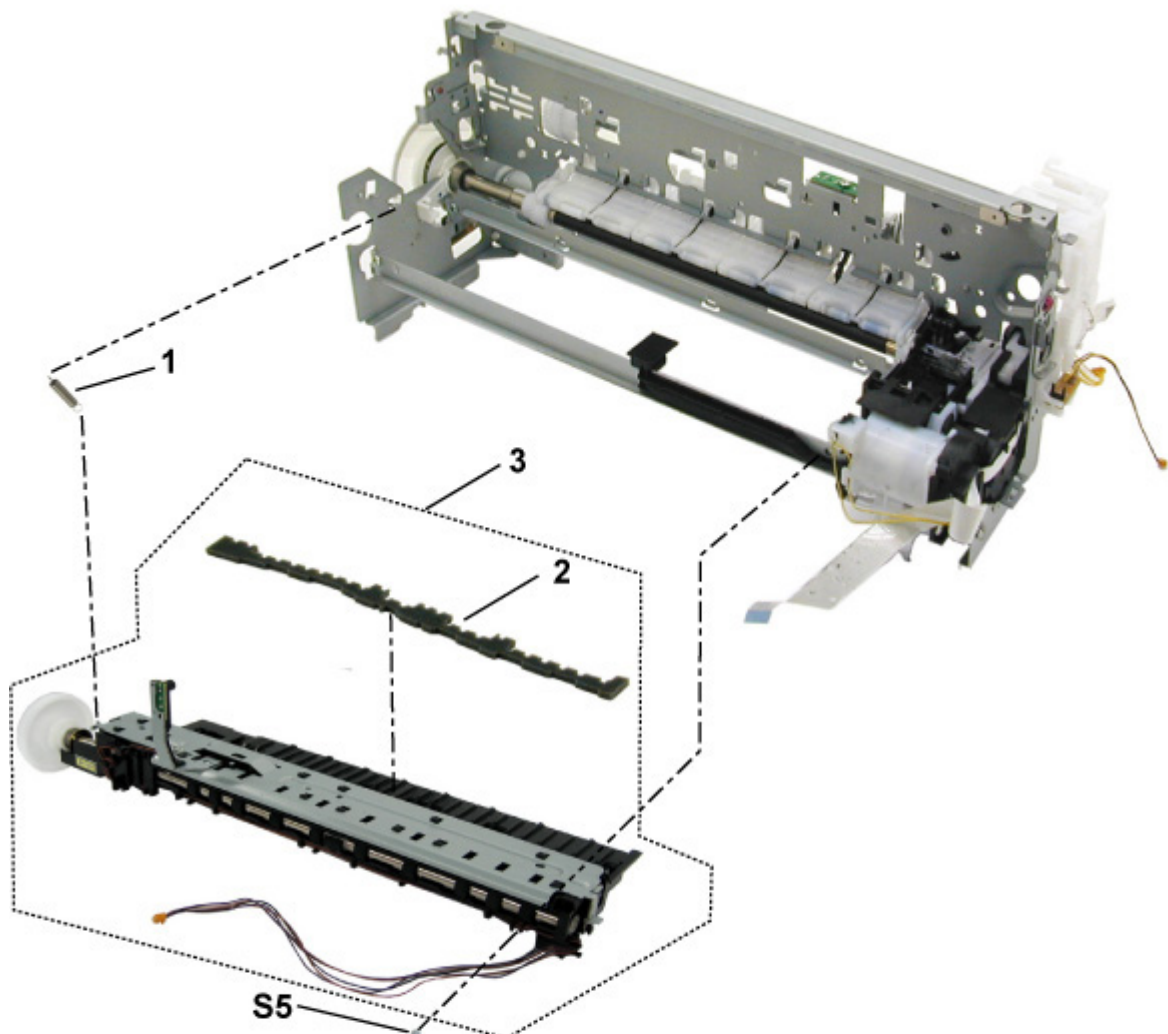


FIGURE & KEY No.		PART NUMBER	RANK	QTY	DESCRIPTION	REMARKS
8 -	1	QC1-6619-000		1	SPRING, TORSION	
	2	QM2-2248-000		1	PLATEN UNIT	
	3	QC1-6272-000		1	ABSORBER, INK	

FIGURE 9 PURGE UNIT

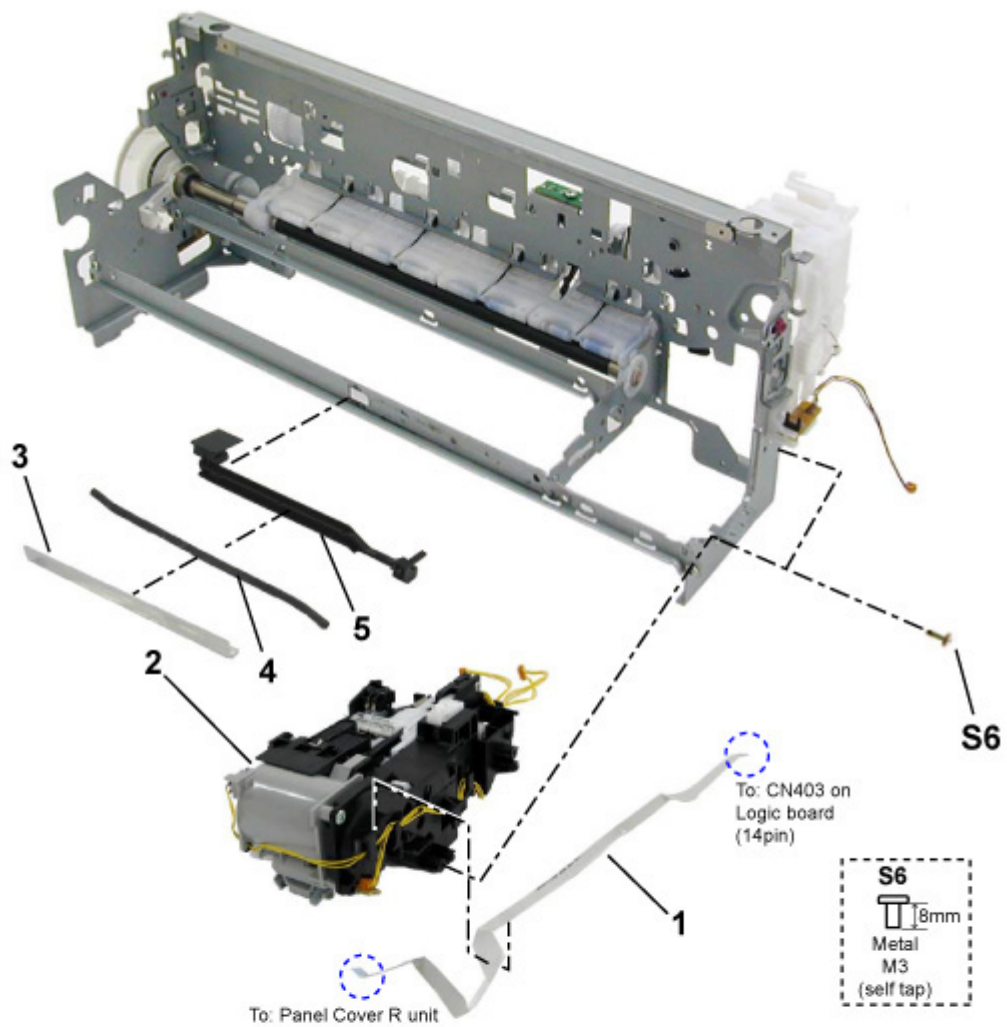


FIGURE & KEY No.		PART NUMBER	RANK	QTY	DESCRIPTION	REMARKS
9 -	1	QK1-1636-000		1	CABLE, PANEL	
	2	QM2-2252-000		1	PURGE UNIT	
	3	QC1-6499-000		1	COVER, WASTE INK TUBE	
	4	QC1-6458-000		1	TUBE, WASTE INK	
	5	QC1-6460-000		1	HOLDER, WASTE INK TUBE	

FIGURE 10 PAPER FEED & CARRIAGE LIFT PART

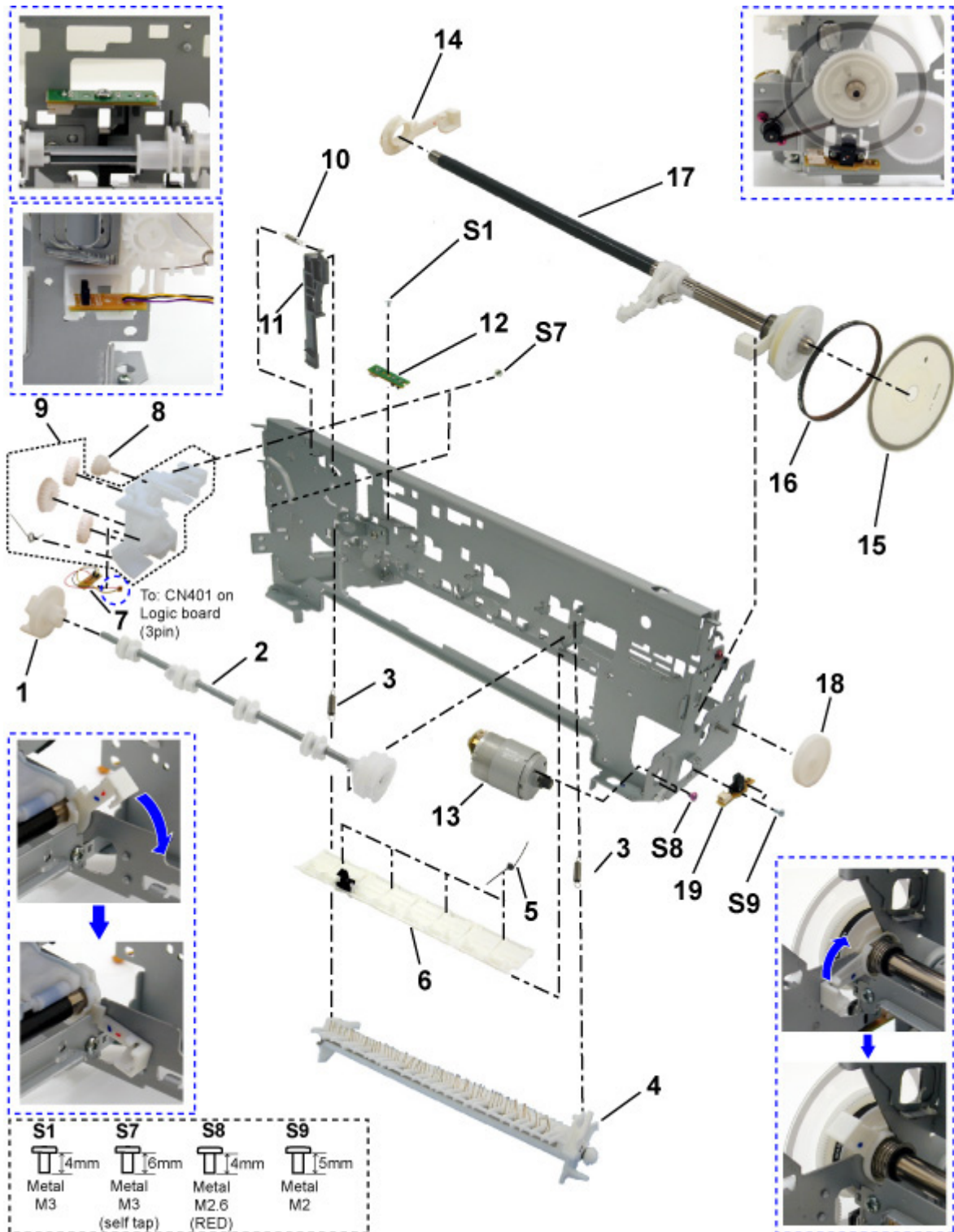


FIGURE & KEY No.		PART NUMBER	RANK	QTY	DESCRIPTION	REMARKS
10 -	1	QC1-6216-000		1	CAM, SWING ARM LOCK	
	2	QL2-0936-000		1	PR LIFT SHAFT ASS'Y	
	3	QC1-6232-000		2	SPRING, TENSION	
	4	QM2-2265-000		1	PAPER GUIDE UNIT	
	5	QC1-6226-000		4	SPRING, TORSION	
	6	QM2-2201-000		1	PRESSURE ROLLER ASS'Y	
	7	QM2-2678-000		1	CARRIAGE LIFT SENSOR UNIT	
	8	QC1-6213-000		1	GEAR, INPUT CARRIAGE LIFT	
	9	QM2-2232-000		1	CARRIAGE LIFT GEAR UNIT	
	10	QC1-6471-000		1	SPRING, TENSION	
	11	QC1-6217-000		1	LEVER, SWING ARM LOCK	
	12	QM2-2677-000		1	PE SENSOR UNIT	
	13	QK1-1502-000		1	MOTOR, PAPER FEED	
	14	QC1-6227-000		1	BUSHING	
	15	QC1-6229-000		1	FILM, TIMING SLIT DISK	
	16	QC1-6230-000		1	BELT, PAPER FEED	
	17	QL2-0950-000		1	FEED ROLLER ASS'Y	
	18	QC1-6225-000		1	GEAR, EJECT	
	19	QM2-2683-000		1	TIMING SENSOR UNIT	

C. OPTION & CONSUMABLES

FIGURE 11 OPTION & CONSUMABLES



FIGURE & KEY No.		PART NUMBER	RANK	QTY	DESCRIPTION	REMARKS
11 -	1	NPN		1	BLACK INK TANK BCI-9BK	CONSUMABLES
		NPN		1	BLACK INK TANK BCI-7eBK	CONSUMABLES
		NPN		1	YELLOW INK TANK BCI7eY	CONSUMABLES
		NPN		1	MAGENTA INK TANK BCI-7eM	CONSUMABLES
		NPN		1	CYAN INK TANK BCI-7eC	CONSUMABLES
	2	NPN		1	BLACK INK TANK PGI-5BK	CONSUMABLES
		NPN		1	BLACK INK TANK CLI-8BK	CONSUMABLES
		NPN		1	YELLOW INK TANK CLI-8Y	CONSUMABLES
		NPN		1	MAGENTA INK TANK CLI-8M	CONSUMABLES
		NPN		1	CYAN INK TANK CLI-8C	CONSUMABLES

D. SCREW & WASHER LIST

[Contents](#)[NUMERICAL INDEX](#)

FIGURE & KEY No.		PART NUMBER	RANK	QTY	DESCRIPTION	REMARKS
S -	1	XB1-2300-405			SCREW, MACH.BH, M3X4	
	2	XA9-1258-000			SCREW, TAP, WASHER HEAD, M3X12	
	3	XB1-2300-609			SCREW, M3X6	
	4	XB6-7300-605			SCREW, MACHINE, WASHER HEAD, M3x6	
	5	XB2-4300-605			SCREW, W/WASHER, M3X6	
	6	XB4-7300-805			SCREW, TP, BH3X8	
	7	XB4-7300-605			SCREW, BH M3X6	
	8	XA9-1437-000			SCREW, BIND, M2.6X4(REDF)	
	9	XB1-2200-505			SCREW, MACH, TRUSS HEAD, M2X5	

This page intentionally left blank

FIGURE 12 TOOL



FIGURE & KEY No.		PART NUMBER	RANK	QTY	DESCRIPTION	REMARKS
T -	1	QY9-0057-000		1	LUBE, FLOIL KG107A, OIL	

F. NUMERICAL INDEX

PART NUMBER	FIGURE & KEY No.	DESCRIPTION	PART NUMBER	FIGURE & KEY No.	DESCRIPTION
QA4-1117-000	1 - 3	TRAY, CD SUB	QM2-2265-000	10 - 4	PAPER GUIDE UNIT
QC1-4261-000	3 - 1	EMBLEM, PIXMA	QM2-2269-000	3 - 4	SIDE COVER R UNIT
QC1-4265-000	3 - 1	EMBLEM, PIXUS	QM2-2278-000	6 - 6	SHEET FEED UNIT
QC1-6199-000	3 - 11	COVER, CDR TRAY BASE	QM2-2677-000	10 - 12	PE SENSOR UNIT
QC1-6201-000	7 - 2	SPRING, LEAF	QM2-2678-000	10 - 7	CARRIAGE LIFT SENSOR UNIT
QC1-6202-000	7 - 13	SPRING, COIL	QM2-2683-000	10 - 19	TIMING SENSOR UNIT
QC1-6206-000	7 - 6	CLIP, SHAFT L	QM2-2744-000	6 - 2	MOTOR MULTI HARNESS ASS'Y
QC1-6207-000	7 - 3	CLIP, SHAFT R	QM2-3201-000	4 - 2	BOTTOM CASE UNIT
QC1-6208-000	7 - 8	CAM, CARRIAGE SHAFT L	QM2-3202-000	3 - 2	ACCESS COVER UNIT
QC1-6209-000	7 - 5	CAM, CARRIAGE SHAFT R	QM2-3203-000	3 - 2	ACCESS COVER UNIT
QC1-6213-000	10 - 8	GEAR, INPUT CARRIAGE LIFT	QM2-3296-000	5 - 5	LOGIC BOARD ASS'Y
QC1-6216-000	10 - 1	CAM, SWING ARM LOCK	QM2-3298-000	5 - 2	NIC SUB HARNESS ASS'Y
QC1-6217-000	10 - 11	LEVER, SWING ARM LOCK	QM2-3299-000	5 - 4	NIC HARNESS ASS'Y
QC1-6225-000	10 - 18	GEAR, EJECT	QM2-3300-000	5 - 1	SUB INTERFACE BOARD ASS'Y
QC1-6226-000	10 - 5	SPRING, TORSION	QM2-3481-000	6 - 3	SENSOR MULTI HARNESS ASS'Y
QC1-6227-000	10 - 14	BUSHING	QM2-3482-000	6 - 1	DC CONNECTOR ASS'Y
QC1-6229-000	10 - 15	FILM, TIMING SLIT DISK	QY5-0152-000	4 - 1	ABSORBER KIT
QC1-6230-000	10 - 16	BELT, PAPER FEED	QY6-0061-000	1 - 5	PRINT HEAD
QC1-6232-000	10 - 3	SPRING, TENSION	QY9-0057-000	T - 1	LUBE, FLOIL KG107A, OIL
QC1-6272-000	8 - 3	ABSORBER, INK	WE8-5881-000	6 - 4	CORE, RING
QC1-6306-000	7 - 4	RING, CARRIAGE SHAFT	WE8-6323-000	7 - 9	CORE, RING
QC1-6377-000	1 - 2	COVER, CASSETTE	WT3-5156-000	1 - 6	CORD, POWER
QC1-6458-000	9 - 4	TUBE, WASTE INK	XA9-1258-000	S - 2	SCREW, TAP, WASHER HEAD, M3X12
QC1-6460-000	9 - 5	HOLDER, WASTE INK TUBE	XA9-1437-000	S - 7	SCREW, BIND, M2.6X4(RED)
QC1-6471-000	10 - 10	SPRING, TENSION	XB1-2200-505	S - 9	SCREW, MACH, TRUSS HEAD, M2X5
QC1-6499-000	9 - 3	COVER, WASTE INK TUBE	XB1-2300-405	S - 1	SCREW, MACH.BH, M3X4
QC1-6523-000	7 - 11	SHAFT, CARRIAGE	XB1-2300-609	S - 3	SCREW, M3X6
QC1-6526-000	7 - 1	FILM, TIMING SLIT STRIP	XB2-4300-605	S - 5	SCREW, W/WASHER, M3X6
QC1-6566-000	3 - 3	COVER, SIDE L	XB4-7300-605	S - 7	SCREW, BH M3X6
QC1-6619-000	8 - 1	SPRING, TORSION	XB4-7300-805	S - 6	SCREW, TP, BH3X8
QC1-6647-000	6 - 5	COVER, PAPER FEED GUIDE	XB6-7300-605	S - 4	SCREW, MACHINE, WASHER HEAD, M3x6
QC1-7454-000	3 - 13	ARM, RELEASE			
QC1-8708-000	3 - 9	COVER, I/F			
QK1-0278-000	1 - 6	CORD, POWER			
QK1-0279-000	1 - 6	CORD, POWER			
QK1-0286-000	1 - 6	CORD, POWER			
QK1-1061-000	1 - 6	CORD, POWER			
QK1-1500-000	7 - 7	MOTOR, CARRIAGE			
QK1-1502-000	10 - 13	MOTOR, PAPER FEED			
QK1-1504-000	2 - 1	AC ADAPTER: 100V-120V 50/60HZ			
QK1-1506-000	2 - 1	AC ADAPTER: 220V-240V 50/60HZ			
QK1-1636-000	9 - 1	CABLE, PANEL			
QK1-1973-000	5 - 3	NIC BOARD ASS'Y			
QL2-0931-000	1 - 4	CDR TRAY ASS'Y			
QL2-0936-000	10 - 2	PR LIFT SHAFT ASS'Y			
QL2-0938-000	7 - 12	IDLER PULLEY ASS'Y			
QL2-0950-000	10 - 17	FEED ROLLER ASS'Y			
QM2-2201-000	10 - 6	PRESSURE ROLLER ASS'Y			
QM2-2232-000	10 - 9	CARRIAGE LIFT GEAR BASE UNIT			
QM2-2248-000	8 - 2	PLATEN UNIT			
QM2-2251-000	7 - 10	CARRIAGE UNIT			
QM2-2252-000	9 - 2	PURGE UNIT			
QM2-2254-000	1 - 1	CASSETTE UNIT			
QM2-2255-000	3 - 12	CDR TRAY BASE UNIT			
QM2-2256-000	3 - 8	MAIN CASE UNIT			
QM2-2259-000	3 - 6	PANEL COVER L UNIT			
QM2-2260-000	3 - 7	PANEL COVER R UNIT			
QM2-2261-000	3 - 5	PAPER SUPPORT UNIT			
QM2-2263-000	3 - 10	FRONT DOOR UNIT			